

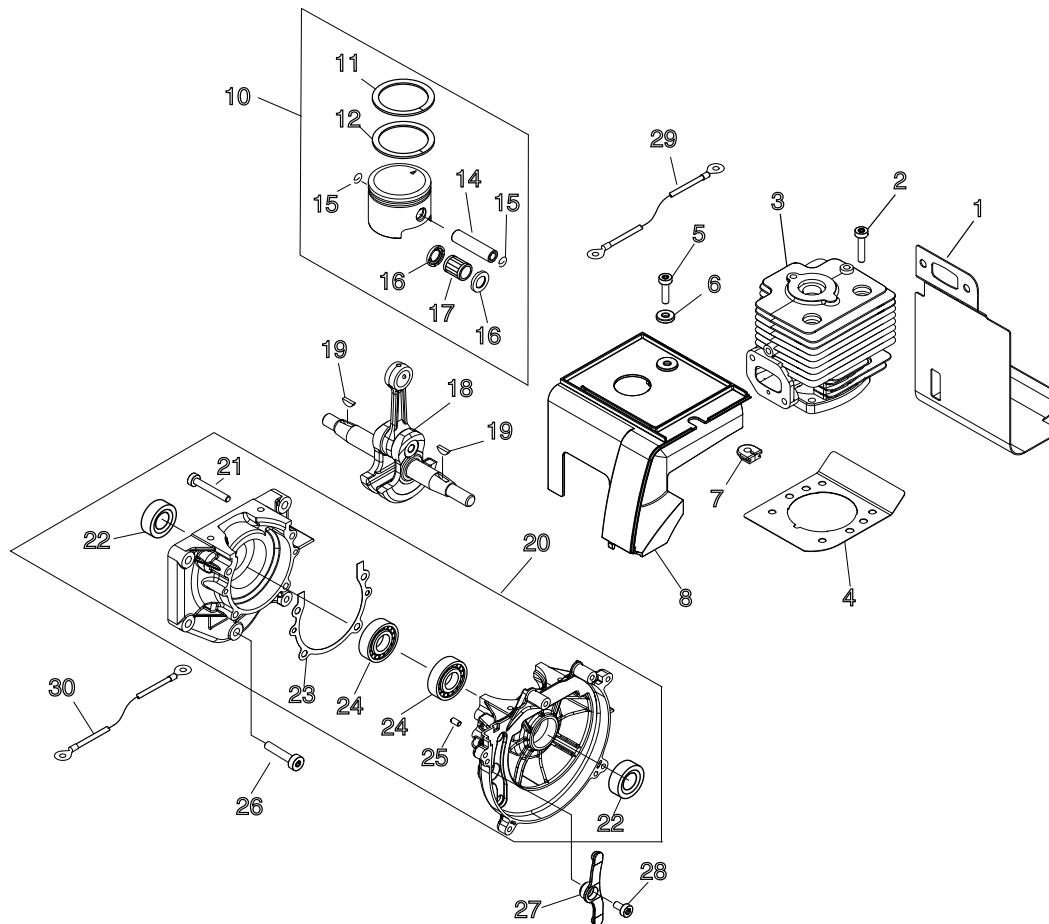


# **PARTS CATALOGUE**

## **BACKPACK BLOWER**

### **PB-770(37)**

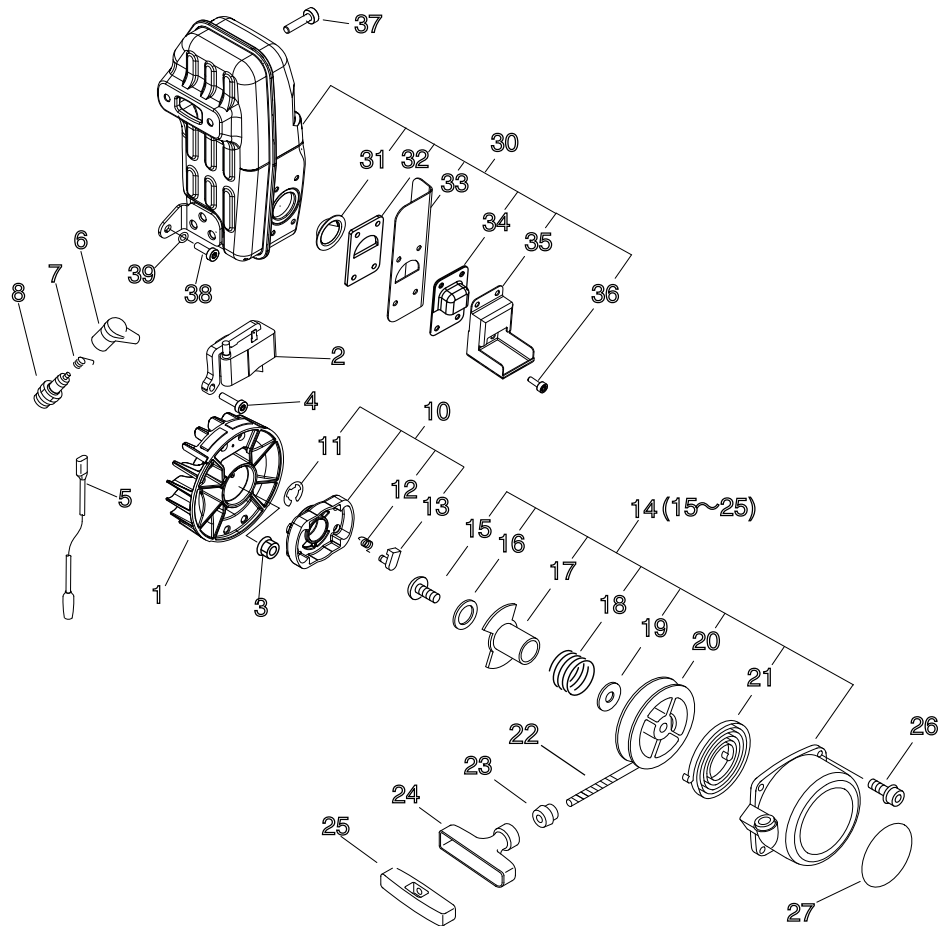
# 1. Cylinder, Crankcase, Piston



KEY	LV	PART NUMBER	Q'TY	DESCRIPTION	REMARKS	NOTE1	NOTE2
1		V104-000950	1	GASKET,EXHAUST			
2		V805-000220	4	BOLT, TORX 5	TB-5*25 12.9		
3		A130-001050	1	CYLINDER			
4		V100-000290	1	GASKET,CYL			
5		V805-000160	1	BOLT, TORX 5	TB-5*20 10.9		
6		V323-000060	1	WASHER,CIRCULAR 5			
7		156112-40630	1	GROMMET			
8		A160-001240	1	COVER,CYLINDER			
10		P021-002983	1	PISTON KIT			
11	+	A101-000030	1	RING,PISTON			
12	+	A101-000020	1	RING,PISTON			
14	+	V608-000010	1	PIN,ENG 10	6*10*40		
15	+	100015-00120	2	CIRCLIP, PISTON PIN			
16	+	V307-000060	2	WASHER,CIRCULAR 10			
17	+	V555-000010	1	BEARING,NEEDLE 10			
18		A011-000570	1	CRANKSHAFT,ASY			
19		900323-03014	2	KEY WOODRUFF	3*14		
20		P021-017260	1	CRANKCASE KIT			
21	+	V805-000180	4	BOLT, TORX 5	TB-5*30 12.9		
22	+	V508-000010	2	SEAL,OIL 15	ISCD 15*25*7		
23	+	V102-000070	1	GASKET,CRANKCASE			
24	+	94032-36302	2	BEARING BALL	BB-6302		
25	+	100215-03930	2	PIN, DOWEL			
26		V806-000060	5	BOLT, TORX 6	TB-6*30 12.9		
27		A127-000240	1	COVER,DUST			
28		V805-000130	1	BOLT, TORX 5	TB-5*10 10.9		

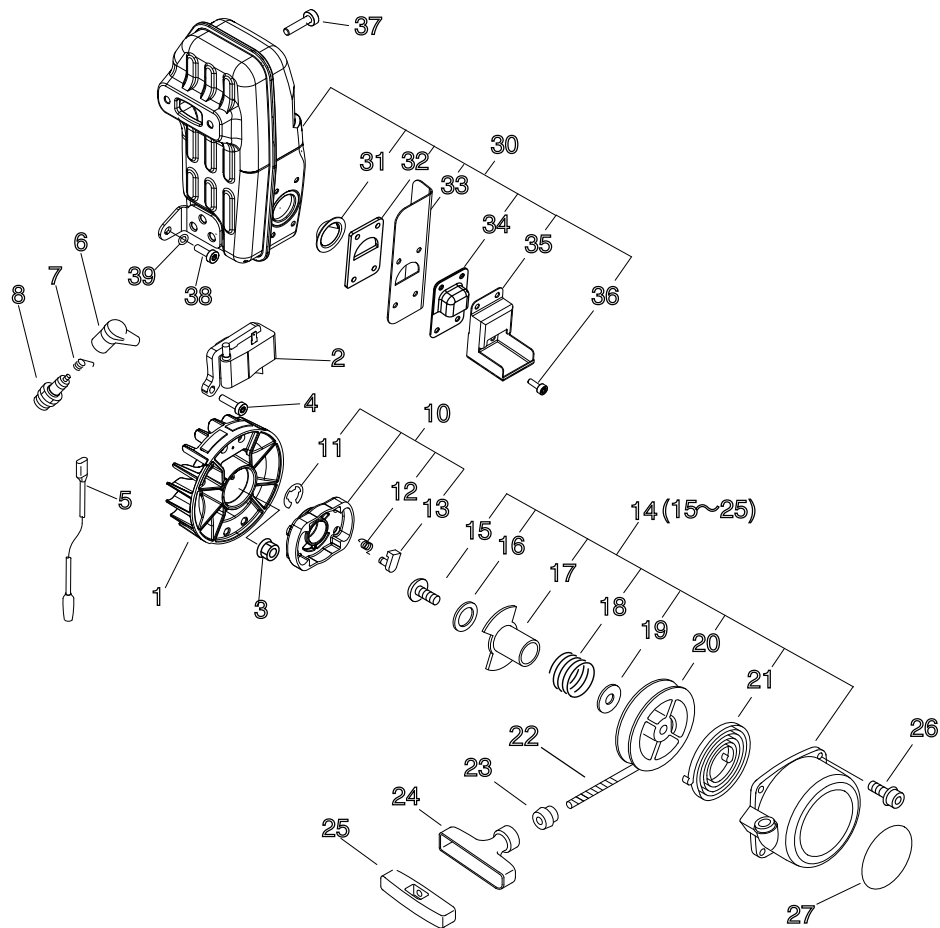


## 2. Starter, Magneto, Muffler



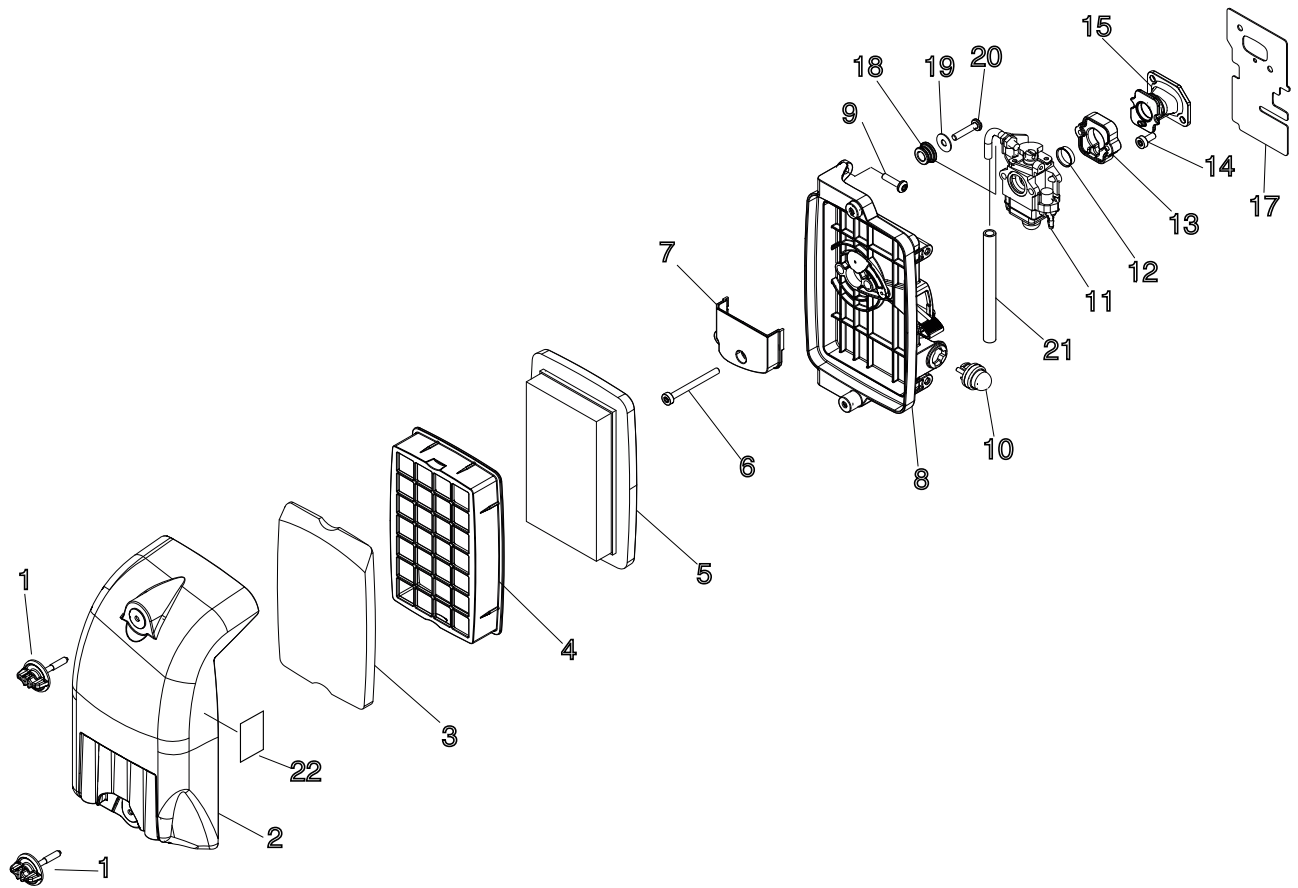
KEY	LV	PART NUMBER	Q'TY	DESCRIPTION	REMARKS	NOTE1	NOTE2
1		A409-000390	1	ROTOR, MAGNETO			
2		A411-000490	1	COIL, IGNITION	ID#C11454		
3		900519-00010	1	NUT, FLANGE 10	10*1.25		
4		V805-000160	2	BOLT, TORX 5	TB-5*20 10.9		
5		V485-001170	1	LEAD	CB104,AMP187		
6		159011-03432	1	COIL, SPARK PLUG			
7		159012-03433	1	CAP, SPARK PLUG			
8		A425-000000	1	SPARKPLUG	BPMR8Y		
10		A052-000270	1	PULLEY,ASM STARTER			
11	+	P022-002100	2	E-RING	4		
12	+	P022-003130	2	SPRING, RETURN			
13	+	P022-003120	2	PAWL, STARTER			
14		A051-000841	1	STARTER,RECOIL			
15	+	177236-61830	1	SCREW			
16	+	P022-010250	1	WASHER, THRUST			
17	+	P022-010221	1	PLATE, FRICTION			
18	+	P022-010231	1	SPRING, FRICTION			
19	+	P022-010240	1	WASHER			
20	+	P022-010280	1	DRUM, STARTER			
21	+	P022-004680	1	SPRING, SPIRAL			
22	+	P022-010270	1	ROPE			
23	+	177227-42030	1	GUIDE, ROPE			
24	+	177228-11620	1	GRIP, STARTER			
25	+	P022-010260	1	CAP, GRIP			
26		V805-000150	4	BOLT, TORX 5	TB-5*16 10.9		
27		X502-000460	1	LABEL,ECHO			

## 2. Starter, Magneto, Muffler



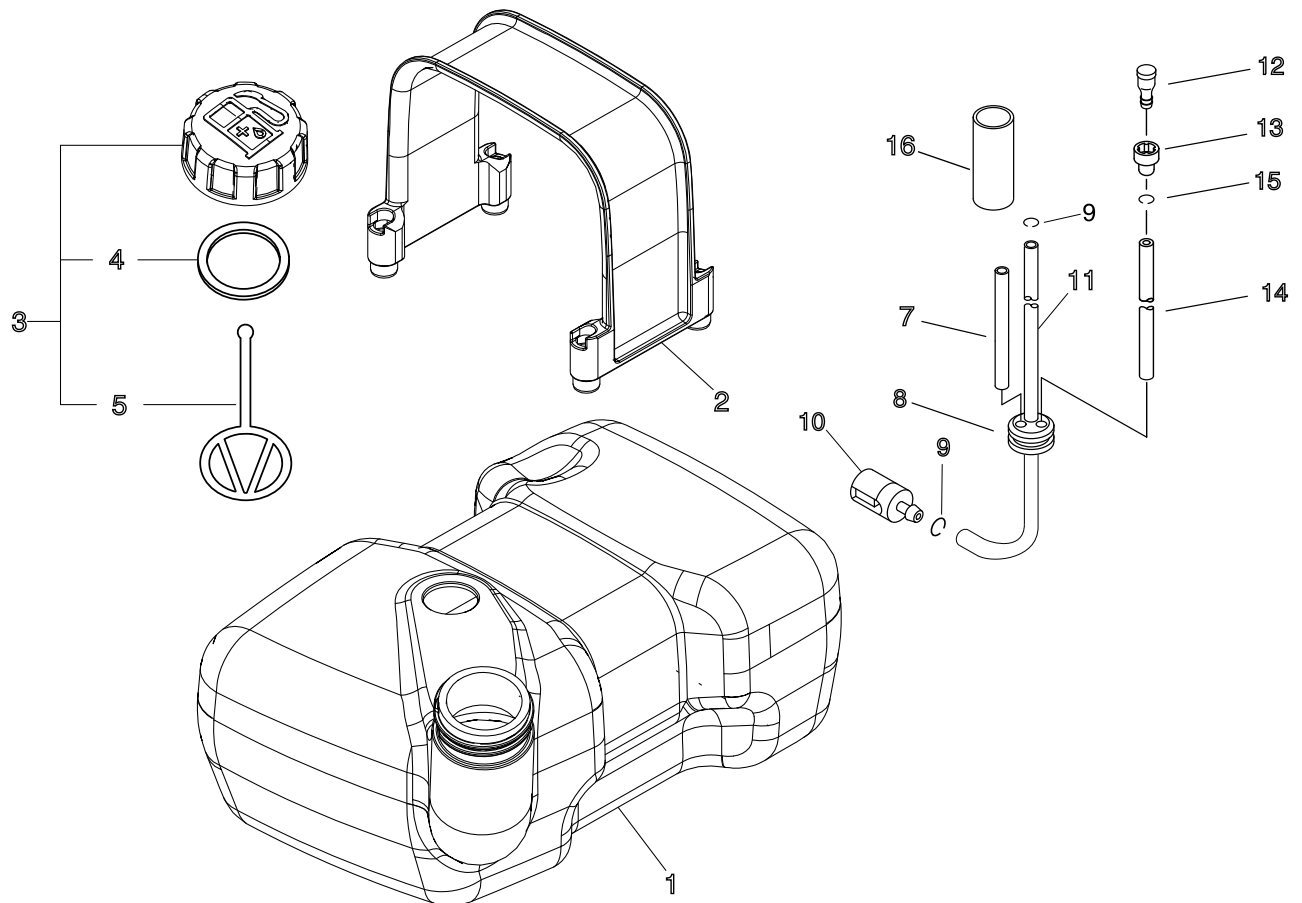
KEY	LV	PART NUMBER	Q'TY	DESCRIPTION	REMARKS	NOTE1	NOTE2
30		P021-017270	1	MUFFLER ASY			
31	+	A310-000000	1	SCREEN,ARRESTOR			
32	+	V104-000550	1	GASKET,EXHAUST			
33	+	V104-000560	1	GASKET,EXHAUST			
34	+	A313-000520	1	GUIDE,EXH			
35	+	A313-001080	1	GUIDE, EXHAUST			
36	+	V804-000090	4	BOLT, TORX 4	TB4*12		
37		V806-000050	2	BOLT, TORX 6	TB-6*20 12.9		
38		V805-000250	1	BOLT, TORX 5	TB-5*16 12.9		
39		613019-07350	1	WASHER 5.5*16*2T	5.5*16*2T		

### 3. Air Cleaner, Carburettor



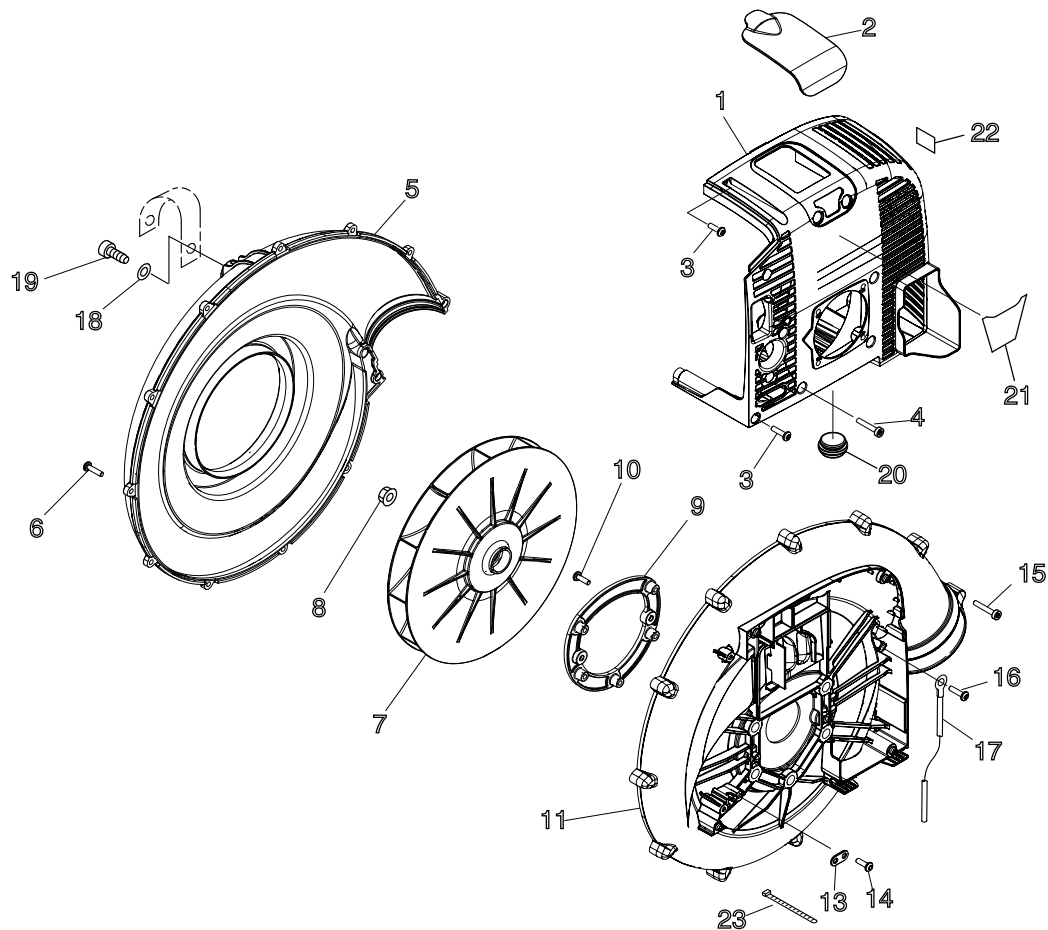
KEY	LV	PART NUMBER	Q'TY	DESCRIPTION	REMARKS	NOTE1	NOTE2
1		A235-000020	2	KNOB,CLEANER LID			
2		A232-000550	1	LID,CLEANER			
3		A226-000480	1	ELEMENT, AIR FILTER			
4		A227-000010	1	PLATE, ELEMENT			
5		A226-000410	1	ELEMENT, AIR FILTER			
6		V805-000090	2	BOLT, TORX 5	TB-5*55 10.9		
7		A244-000090	1	PLATE, PREVENT			
8		P021-017280	1	CLEANER CASE ASY			
9		V805-000010	2	BOLT, TORX 5	TT-5*20 DG 10.9		
10		123181-39130	1	PUMP, PRIMER			
11		A021-001870	1	CARBURETOR,DIAPHRAGM	WYK-345		
12		A205-000000	1	RING, SEAL			
13		A201-000010	1	ADAPTER, INTAKE			
14		V805-000140	2	BOLT, TORX 5	TB-5*12 10.9		
15		A202-000090	1	BELLOWS, INTAKE			
17		V103-000530	1	GASKET,INTAKE	NP7010,T:1.2		
18		C480-000080	1	GUIDE, CABLE			
19		131911-03460	1	WASHER			
20		V805-000000	1	BOLT, TORX 5	TT-5*16 DG 10.9		
21		V471-001240	1	PIPE	2.5*5*140		
22		890332-52730	1	LABEL, CHOKE			

## 4. Fuel Tank



KEY	LV	PART NUMBER	Q'TY	DESCRIPTION	REMARKS	NOTE1	NOTE2
1		A350-000980	1	TANK, FUEL			
2		A392-000040	1	BAND, FUEL TANK			
3		131004-55530	1	CAP ASSY, FUEL TANK			
4	+	131016-55830	1	GASKET, FUEL CAP			
5	+	131051-56030	1	CLIP, FUEL CAP	100L		
7		V470-002320	1	PIPE	L240		
8		132115-55930	1	GROMMET, FUEL			
9		132013-09820	2	CLIP	6MM		
10		A369-000000	1	STRAINER, FUEL	125-528		
11		V471-000860	1	PIPE			
12		A356-000030	1	VALVE,CHECK			
13		131328-40630	1	COVER, VENT			
14		V471-002310	1	PIPE	3*6*130		
15		132013-26630	1	CLIP	6.5MM		
16		V475-004400	1	TUBE	16*18*L40		

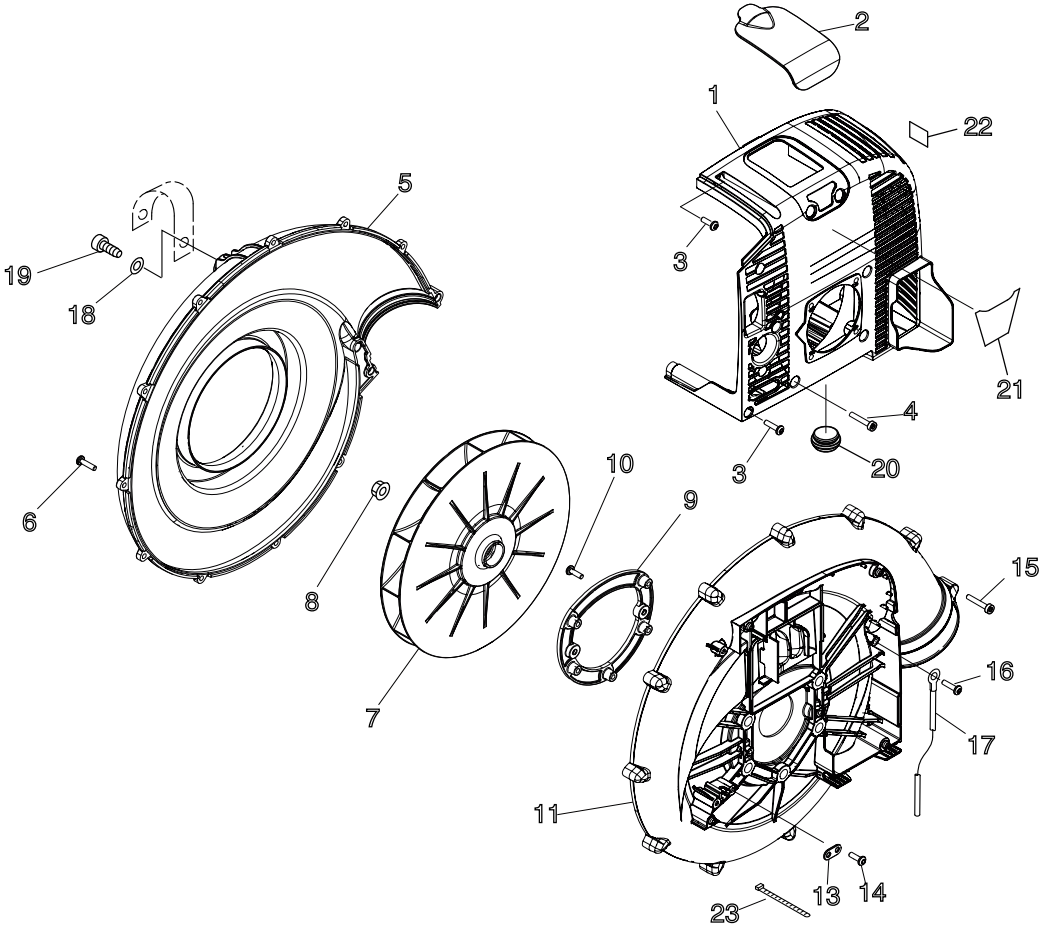
## 5. Fan Case, Engine Cover



KEY	LV	PART NUMBER	Q'TY	DESCRIPTION	REMARKS	NOTE1	NOTE2
1		A190-000850	1	COVER,ENGINE			
2		A429-000060	1	COVER,CAP			
3		V805-000010	6	BOLT, TORX 5	TT-5*20 DG 10.9		
4		V805-000150	4	BOLT, TORX 5	TB-5*16 10.9		
5		E103-000680	1	CASE,FAN			
6		V805-000010	10	BOLT, TORX 5	TT-5*20 DG 10.9		
7		E100-000080	1	FAN,BLOWER			
8		900519-00010	1	NUT, FLANGE 10	10*1.25		
9		C632-000100	1	PLATE, ENG			
10		V805-000000	2	BOLT, TORX 5	TT-5*16 DG 10.9		
11		E103-000670	1	CASE,FAN			
13		V150-001350	1	PLATE,EYE			
14		V805-000000	1	BOLT, TORX 5	TT-5*16 DG 10.9		
15		V805-000010	2	BOLT, TORX 5	TT-5*20 DG 10.9		
16		V805-000240	1	BOLT, TORX 5	TT-5*12 DG 10.9		
17		V485-001200	1	LEAD			
18		613019-07350	1	WASHER 5.5*16*2T	5.5*16*2T		
19		V805-000010	1	BOLT, TORX 5	TT-5*20 DG 10.9		
20		V420-000910	1	CUSHION			

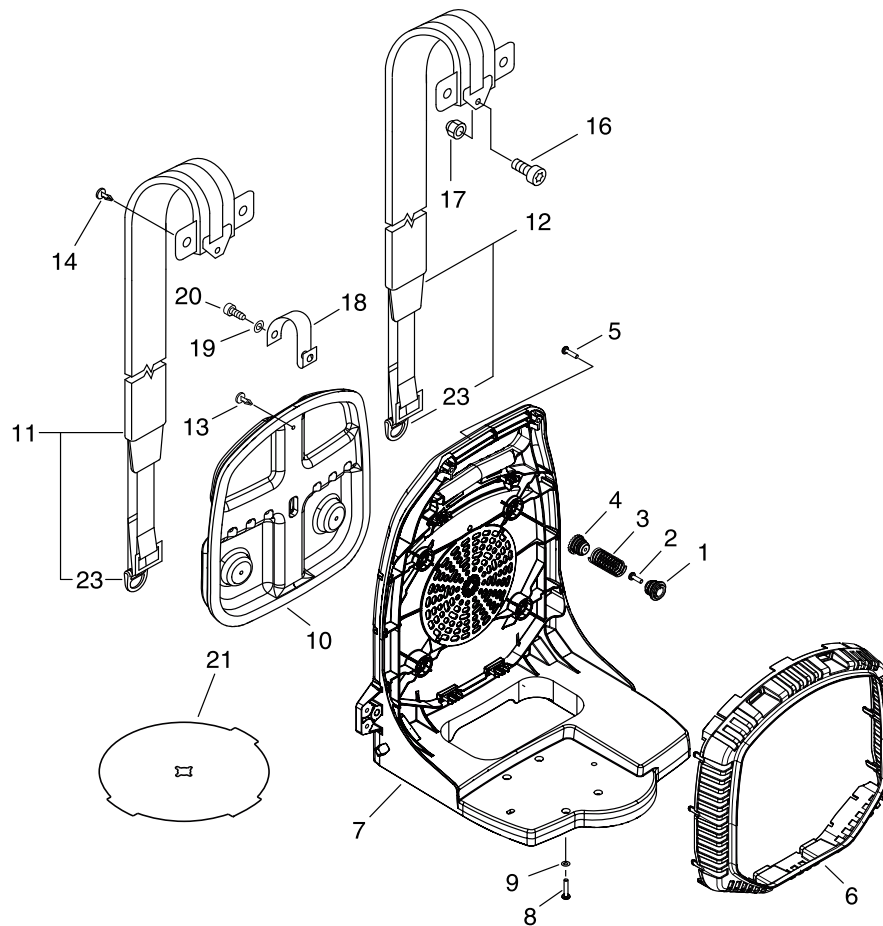


5. Fan Case, Engine Cover



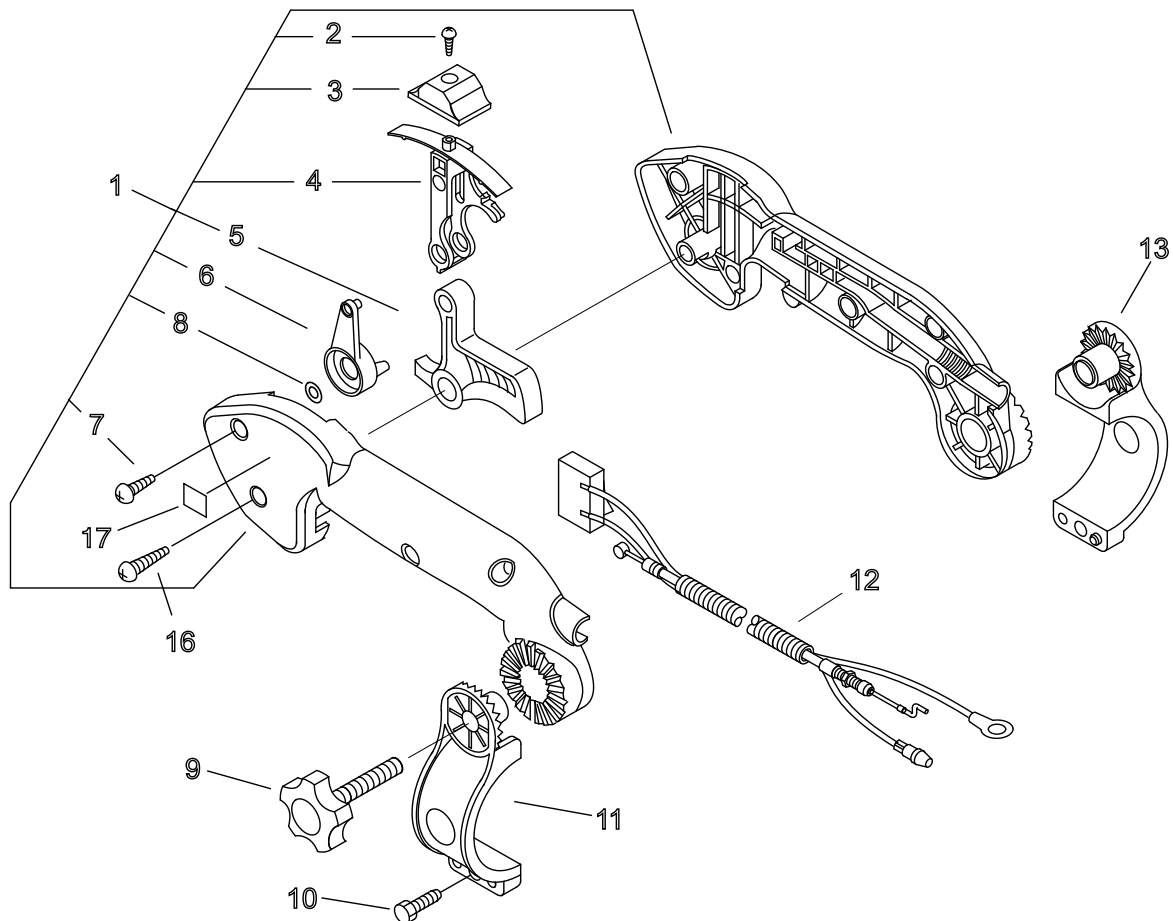
KEY	LV	PART NUMBER	Q'TY	DESCRIPTION	REMARKS	NOTE1	NOTE2
21		X547-001670	1	LABEL,ECHO			
22		X505-002310	1	LABEL,CAUTION	HOT CAUTION		
23		178121-43230	1	BAND	CV-150 BL		

## 6. Back Pack Frame,Harness Pad



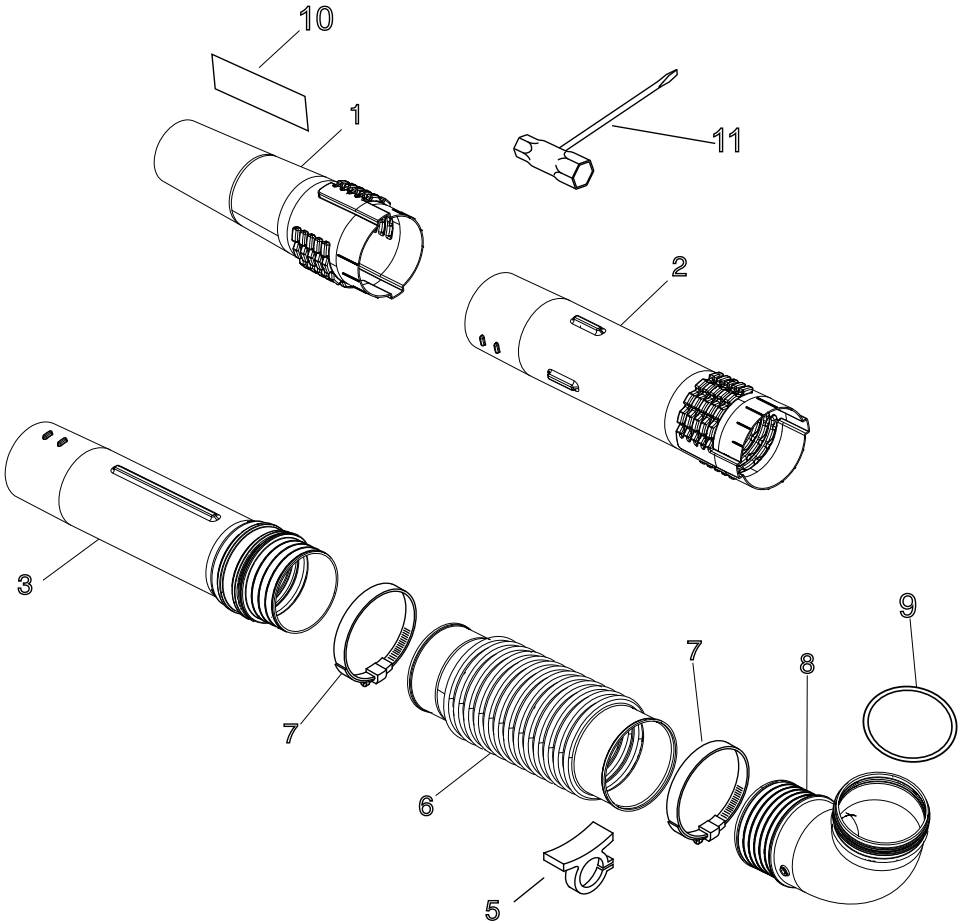
KEY	LV	PART NUMBER	Q'TY	DESCRIPTION	REMARKS	NOTE1	NOTE2
1		V456-000120	4	HOLDER,SPRING			
2		V805-000000	4	BOLT, TORX 5	TT-5*16 DG 10.9		
3		V450-000780	4	SPRING,COMPRESSION	2.6-19.4-46.2		
4		V456-000130	4	HOLDER,SPRING			
5		V805-000010	4	BOLT, TORX 5	TT-5*20 DG 10.9		
6		E104-000100	1	GRID, BLOWER			
7		C620-000330	1	FRAME, BACKPACK			
8		V805-000170	4	BOLT, TORX 5	TB-5*25 10.9		
9		613019-07350	4	WASHER 5.5*16*2T	5.5*16*2T		
10		C630-000070	1	SEAT, BACKPACK			
11		P021-042920	1	HARNESS,BACKPACK-S			
23	+	C645-000080	1	BUCKLE, HARNESS			
12		P021-042930	1	HARNESS,BACKPACK-S			
23	+	C645-000080	1	BUCKLE, HARNESS			
13		V491-000090	3	CLIP			
14		V491-000120	3	CLIP			
16		V805-000050	2	BOLT, TORX 5	TB-5*30 10.9		
17		900562-50005	2	LOCKNUT 5	5		
18		C617-000380	1	STOPPER	T:1.2X100		
19		613019-07350	1	WASHER 5.5*16*2T	5.5*16*2T		
20		V805-000010	1	BOLT, TORX 5	TT-5*20 DG 10.9		
21		C635-000000	1	LID,SEAT			

## 7. Grip,Throttle



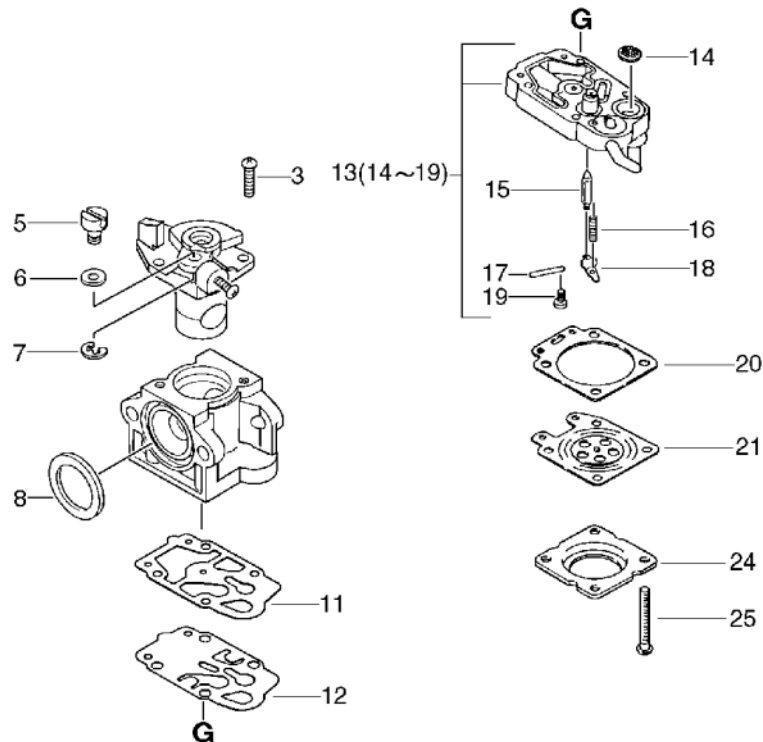
KEY	LV	PART NUMBER	Q'TY	DESCRIPTION	REMARKS	NOTE1	NOTE2
1		P021-017291	1	FRONT HANDLE ASY			
2	+	91545-03014	1	SCREW TAPTITE-P			
3	+	E151-000000	1	KNOB,LEVER	ACT#040504-A1		
4	+	C453-000211	1	LEVER, THROTTLE			
5	+	C450-000390	1	CONTROL, THROTTLE			
6	+	C453-000203	1	LEVER, THROTTLE			
7	+	V805-000010	4	BOLT, TORX 5	TT-5*20 DG 10.9		
8	+	V303-000100	1	WASHER,CIRCULAR 5	5.2*8*0.5		
9		305812-08260	1	KNOB, FASTENER			
10		V805-000010	1	BOLT, TORX 5	TT-5*20 DG 10.9		
11		C405-000360	1	BRACKET,HANDLE			
12		V043-000340	1	CABLE ASY, CONTROL			
13		C405-000370	1	BRACKET,HANDLE			
16		V805-000230	1	BOLT, TORX 5	TT-5*25 DG 10.9		
17		X505-000950	1	LABEL,CAUTION			

8. Blower Pipe



KEY	LV	PART NUMBER	Q'TY	DESCRIPTION	REMARKS	NOTE1	NOTE2
1		E165-000280	1	PIPE,BLOWER	318*72/91		
2		E165-000290	1	PIPE,BLOWER			
3		E165-000310	1	PIPE,BLOWER			
5		V491-000191	1	CLIP			
6		E164-000090	1	PIPE,FLEXIBLE			
7		V495-000440	2	BAND	77.8MM /101.6MM		
8		E160-000130	1	PIPE,MAIN			
9		92501-09500	1	O-RING			
10		890118-04262	2	LABEL, ECHO	194*44		
11		895410-39131	1	WRENCH, W/S-DRIVER			

## 9. Carburettor



KEY	LV	PART NUMBER	Q'TY	DESCRIPTION	REMARKS	NOTE1	NOTE2
		A021-001870	1	CARBURETOR,DIAPHRAGM	WYK-345		
3	+	P003-002400	2	SCREW			
5	+	123172-45130	1	SWIVEL			
6	+	123149-54230	1	WASHER			
7	+	123173-07930	1	CLIP			
8	+	123143-12110	1	RING, PACKING			
11	+	P003-000100	1	GASKET, PUMP			
12	+	123112-40630	1	DIAPHRAGM, PUMP			
13	+	P003-002410	1	BODY ASSEMBLY, PUMP			
14	++	123126-10631	1	SCREEN, INLET			
15	++	123137-19830	1	VALVE, INLET NEEDLE			
16	++	123122-05560	1	SPRING, METER. LEVER			
17	++	123138-03930	1	PIN, METERING LEVER			
18	++	123123-03930	1	LEVER, METERING			
19	++	123139-05560	1	SCREW, M. LEVER PIN			
20	+	123140-27230	1	GASKET, M. DIAPHRAGM			
21	+	P003-001850	1	DIAPHRAGM, METERING			
24	+	123142-03930	1	COVER, M. DIAPHRAGM			
25	+	123144-44330	4	SCREW			

**Index**

<b>Patrs Number</b>	<b>Key No.</b>	<b>Patrs Number</b>	<b>Key No.</b>	<b>Patrs Number</b>	<b>Key No.</b>
100015-00120	1 - 15	A021-001870	9 -	E165-000280	8 - 1
100215-03930	1 - 25	A051-000841	2 - 14	E165-000290	8 - 2
123112-40630	9 - 12	A052-000270	2 - 10	E165-000310	8 - 3
123122-05560	9 - 16	A101-000020	1 - 12	P003-000100	9 - 11
123123-03930	9 - 18	A101-000030	1 - 11	P003-001850	9 - 21
123126-10631	9 - 14	A127-000240	1 - 27	P003-002400	9 - 3
123137-19830	9 - 15	A130-001050	1 - 3	P003-002410	9 - 13
123138-03930	9 - 17	A160-001240	1 - 8	P021-002983	1 - 10
123139-05560	9 - 19	A190-000850	5 - 1	P021-017260	1 - 20
123140-27230	9 - 20	A201-000010	3 - 13	P021-017270	2 - 30
123142-03930	9 - 24	A202-000090	3 - 15	P021-017280	3 - 8
123143-12110	9 - 8	A205-000000	3 - 12	P021-017291	7 - 1
123144-44330	9 - 25	A226-000410	3 - 5	P021-042920	6 - 11
123149-54230	9 - 6	A226-000480	3 - 3	P021-042930	6 - 12
123172-45130	9 - 5	A227-000010	3 - 4	P022-002100	2 - 11
123173-07930	9 - 7	A232-000550	3 - 2	P022-003120	2 - 13
123181-39130	3 - 10	A235-000020	3 - 1	P022-003130	2 - 12
131004-55530	4 - 3	A244-000090	3 - 7	P022-004680	2 - 21
131016-55830	4 - 4	A310-000000	2 - 31	P022-010221	2 - 17
131051-56030	4 - 5	A313-000520	2 - 34	P022-010231	2 - 18
131328-40630	4 - 13	A313-001080	2 - 35	P022-010240	2 - 19
131911-03460	3 - 19	A350-000980	4 - 1	P022-010250	2 - 16
132013-09820	4 - 9	A356-000030	4 - 12	P022-010260	2 - 25
132013-26630	4 - 15	A369-000000	4 - 10	P022-010270	2 - 22
132115-55930	4 - 8	A392-000040	4 - 2	P022-010280	2 - 20
156112-40630	1 - 7	A409-000390	2 - 1	V043-000340	7 - 12
159011-03432	2 - 6	A411-000490	2 - 2	V100-000290	1 - 4
159012-03433	2 - 7	A425-000000	2 - 8	V102-000070	1 - 23
177227-42030	2 - 23	A429-000060	5 - 2	V103-000530	3 - 17
177228-11620	2 - 24	C405-000360	7 - 11	V104-000550	2 - 32
177236-61830	2 - 15	C405-000370	7 - 13	V104-000560	2 - 33
178121-43230	5 - 23	C450-000390	7 - 5	V104-000950	1 - 1
305812-08260	7 - 9	C453-000203	7 - 6	V150-001350	5 - 13
613019-07350	2 - 39	C453-000211	7 - 4	V303-000100	7 - 8
613019-07350	5 - 18	C480-000080	3 - 18	V307-000060	1 - 16
613019-07350	6 - 9	C617-000380	6 - 18	V323-000060	1 - 6
613019-07350	6 - 19	C620-000330	6 - 7	V420-000910	5 - 20
890118-04262	8 - 10	C630-000070	6 - 10	V450-000780	6 - 3
890332-52730	3 - 22	C632-000100	5 - 9	V456-000120	6 - 1
895410-39131	8 - 11	C635-000000	6 - 21	V456-000130	6 - 4
900323-03014	1 - 19	C645-000080	6 - 23	V470-002320	4 - 7
900519-00010	2 - 3	C645-000080	6 - 23	V471-000860	4 - 11
900519-00010	5 - 8	E100-000080	5 - 7	V471-001240	3 - 21
900562-50005	6 - 17	E103-000670	5 - 11	V471-002310	4 - 14
91545-03014	7 - 2	E103-000680	5 - 5	V475-004400	4 - 16
92501-09500	8 - 9	E104-000100	6 - 6	V485-001170	2 - 5
94032-36302	1 - 24	E151-000000	7 - 3	V485-001180	1 - 29
A011-000570	1 - 18	E160-000130	8 - 8	V485-001190	1 - 30
A021-001870	3 - 11	E164-000090	8 - 6	V485-001200	5 - 17

**Index**

<b>Patrs Number</b>	<b>Key No.</b>	<b>Patrs Number</b>	<b>Key No.</b>	<b>Patrs Number</b>	<b>Key No.</b>
V491-000090	6 - 13				
V491-000120	6 - 14				
V491-000191	8 - 5				
V495-000440	8 - 7				
V508-000010	1 - 22				
V555-000010	1 - 17				
V608-000010	1 - 14				
V804-000090	2 - 36				
V805-000000	3 - 20				
V805-000000	5 - 10				
V805-000000	5 - 14				
V805-000000	6 - 2				
V805-000010	3 - 9				
V805-000010	5 - 3				
V805-000010	5 - 6				
V805-000010	5 - 15				
V805-000010	5 - 19				
V805-000010	6 - 5				
V805-000010	6 - 20				
V805-000010	7 - 7				
V805-000010	7 - 10				
V805-000050	6 - 16				
V805-000090	3 - 6				
V805-000130	1 - 28				
V805-000140	3 - 14				
V805-000150	2 - 26				
V805-000150	5 - 4				
V805-000160	1 - 5				
V805-000160	2 - 4				
V805-000170	6 - 8				
V805-000180	1 - 21				
V805-000220	1 - 2				
V805-000230	7 - 16				
V805-000240	5 - 16				
V805-000250	2 - 38				
V806-000050	2 - 37				
V806-000060	1 - 26				
X502-000460	2 - 27				
X505-000950	7 - 17				
X505-002310	5 - 22				
X547-001670	5 - 21				

# YAMABIKO CORPORATION

7-2 SUEHIROCHO 1-CHOME, OHME, TOKYO 198-8760, JAPAN  
PHONE: 81-428-32-6118. FAX: 81-428-32-6145.



No. 7)\_1