

**PB-8010**

**Serial number: 38000001-38999999**

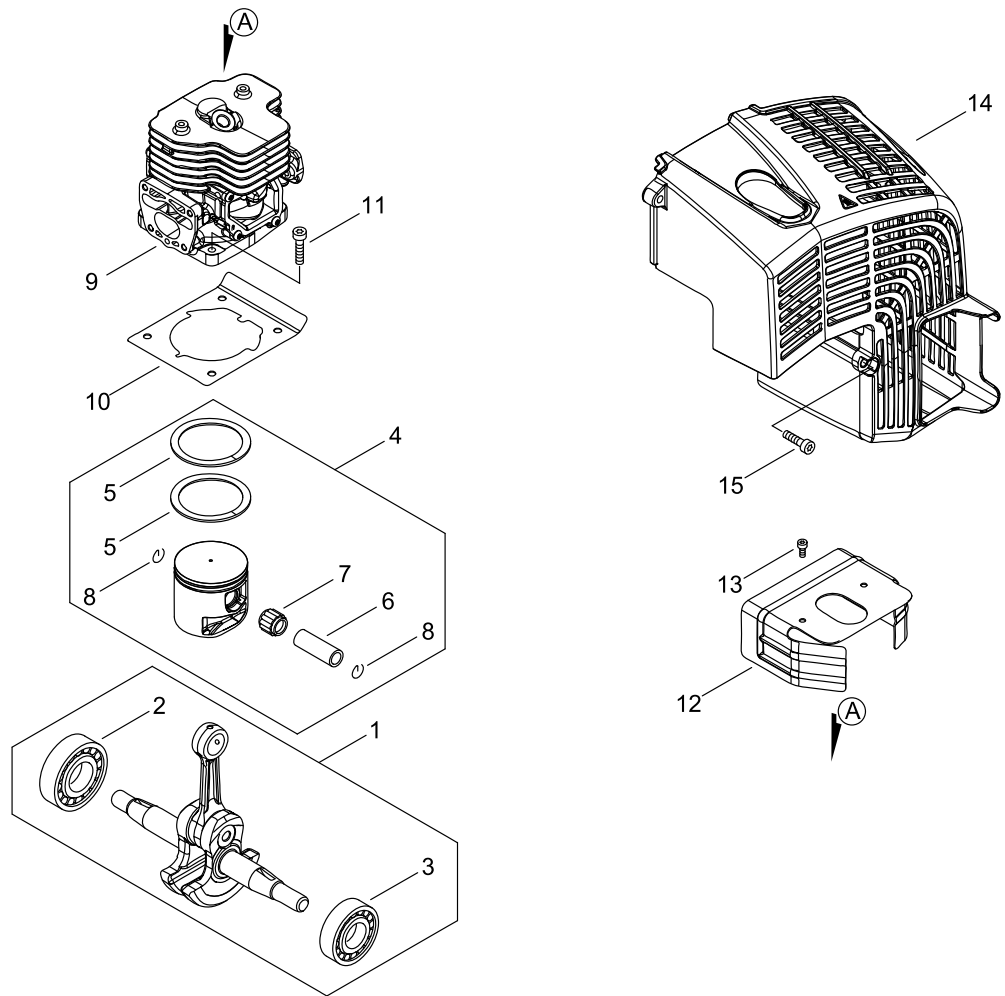
**Last update date: 01/28/2020**

## TABLE OF CONTENTS

---

CYLINDER, PISTON, CRANKSHAFT.....	1
CRANKCASE .....	3
MAGNETO.....	5
AIR CLEANER, CARBURETOR.....	7
CARBURETOR.....	9
FUEL TANK.....	11
MUFFLER .....	13
RECOIL STARTER.....	15
FAN CASE .....	17
BACKPACK HARNESS .....	19
THROTTLE .....	21
PIPE.....	23
ACCESSORIES .....	25

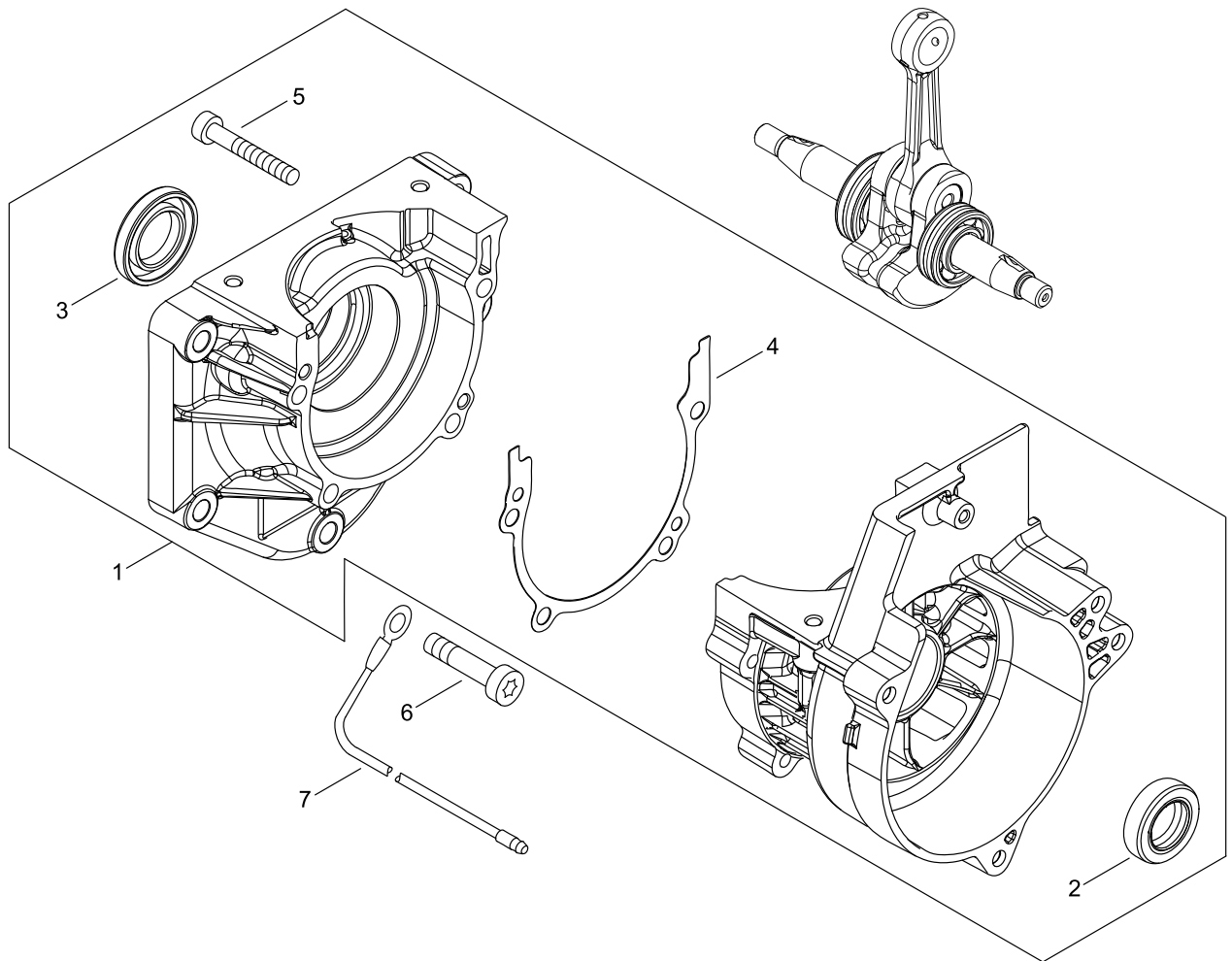
# CYLINDER, PISTON, CRANKSHAFT



## CYLINDER, PISTON, CRANKSHAFT

Key No.	LV (+)	Part No	Description	Qty	Standard
1		P200-001000	CRANKSHAFT ASY	1	
2	+	V592-000490	BEARING, BALL	1	EC1/6203/C3
3	+	V592-000510	BEARING, BALL	1	
4		P100-008020	PISTON KIT	1	
5	+	A101-000750	RING, PISTON	2	Φ 53*1.2*2.1
6	+	V611-000020	PIN,ENG 13	1	
7	+	V558-000020	BEARING,NEEDLE 13	1	13*16*16.8/15
8	+	100015-30830	CIRCLIP, PISTON PIN	2	
9		P100-008280	CYLINDER ASY	1	
10		V100-000880	GASKET,CYL	1	T=0.8
11		V855-000010	BOLT, TORX 5	4	TB-5*25 12.9
12		A160-003600	COVER,CYLINDER	1	
13		V804-000030	BOLT, TORX 4	2	TB-4*8 10.9
14		A190-001651	COVER,ENGINE	1	
15		V805-000010	BOLT, TORX 5	4	TT-5*20 DG 10.9

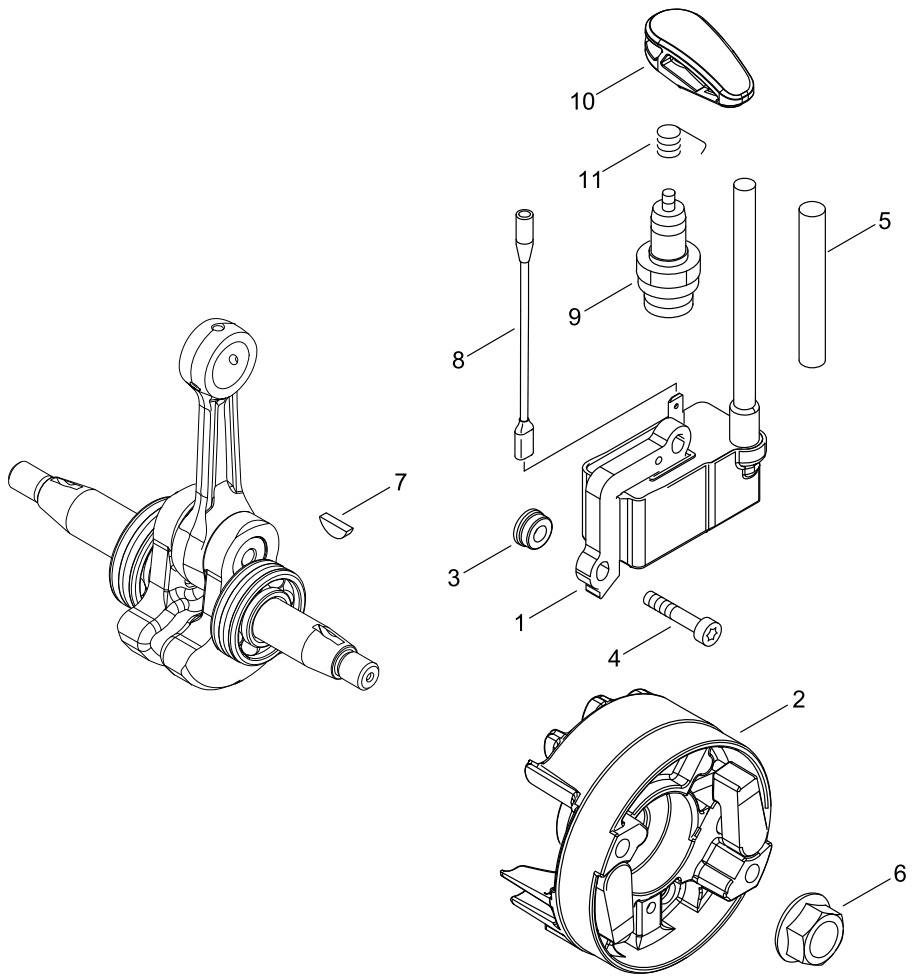
# CRANKCASE



## CRANKCASE

Key No.	LV (+)	Part No	Description	Qty	Standard
1		P100-006310	CRANKCASE SET	1	
2	+	V508-000100	SEAL,OIL 15	1	ISCD 15*25*7
3	+	V510-000030	OIL SEAL	1	
4	+	V102-000320	GASKET,CRANKCASE	1	T=0.3
5	+	V805-000290	BOLT, TORX 5	4	TB-5*35 12.9
6		V204-001830	BOLT,6	5	TB2458(MEC) 10MM
7		V485-003170	LEAD	1	ア-ス側

# MAGNETO

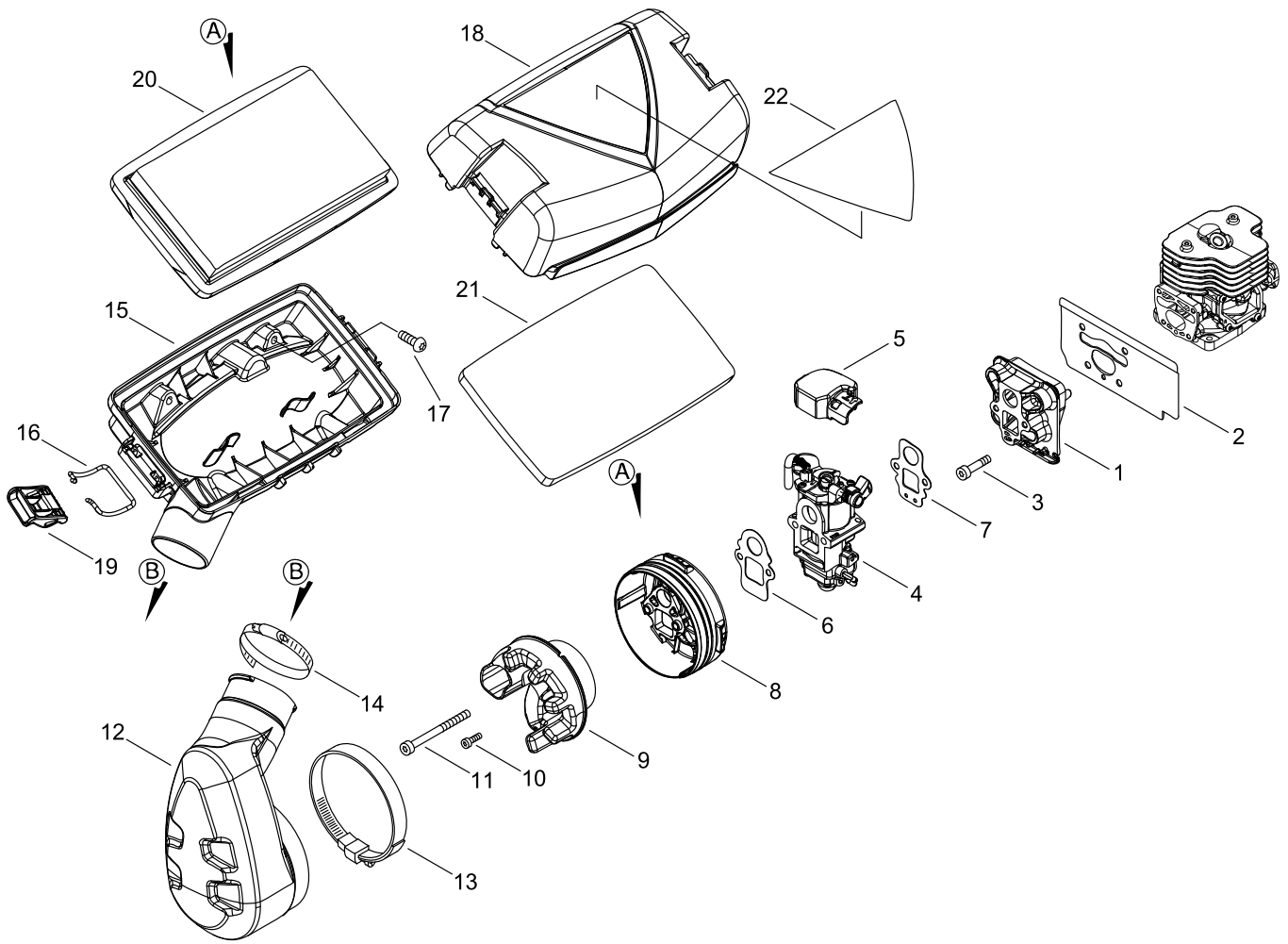


## MAGNETO

Key No.	LV (+)	Part No	Description	Qty	Standard
1		A411-001870	COIL, IGNITION	1	ID#A10084[1]
2		A409-001370	ROTOR, MAGNETO	1	
3		V352-000300	COLLAR,4	2	4.5*8.3*4.6L
4		V202-000750	BOLT,4	2	TB2458(MEC) 6MM
5		V475-007540	TUBE	1	
6		900519-00010	NUT, FLANGE	1	10
7		900323-03014	KEY, WOODRUFF	1	3*14
8		V485-003180	LEAD	1	
9		A425-000060	SPARKPLUG	1	CMR7H
10		A427-000230	CAP,SPARK PLUG	1	
11		159011-03432	COIL, SPARK PLUG	1	



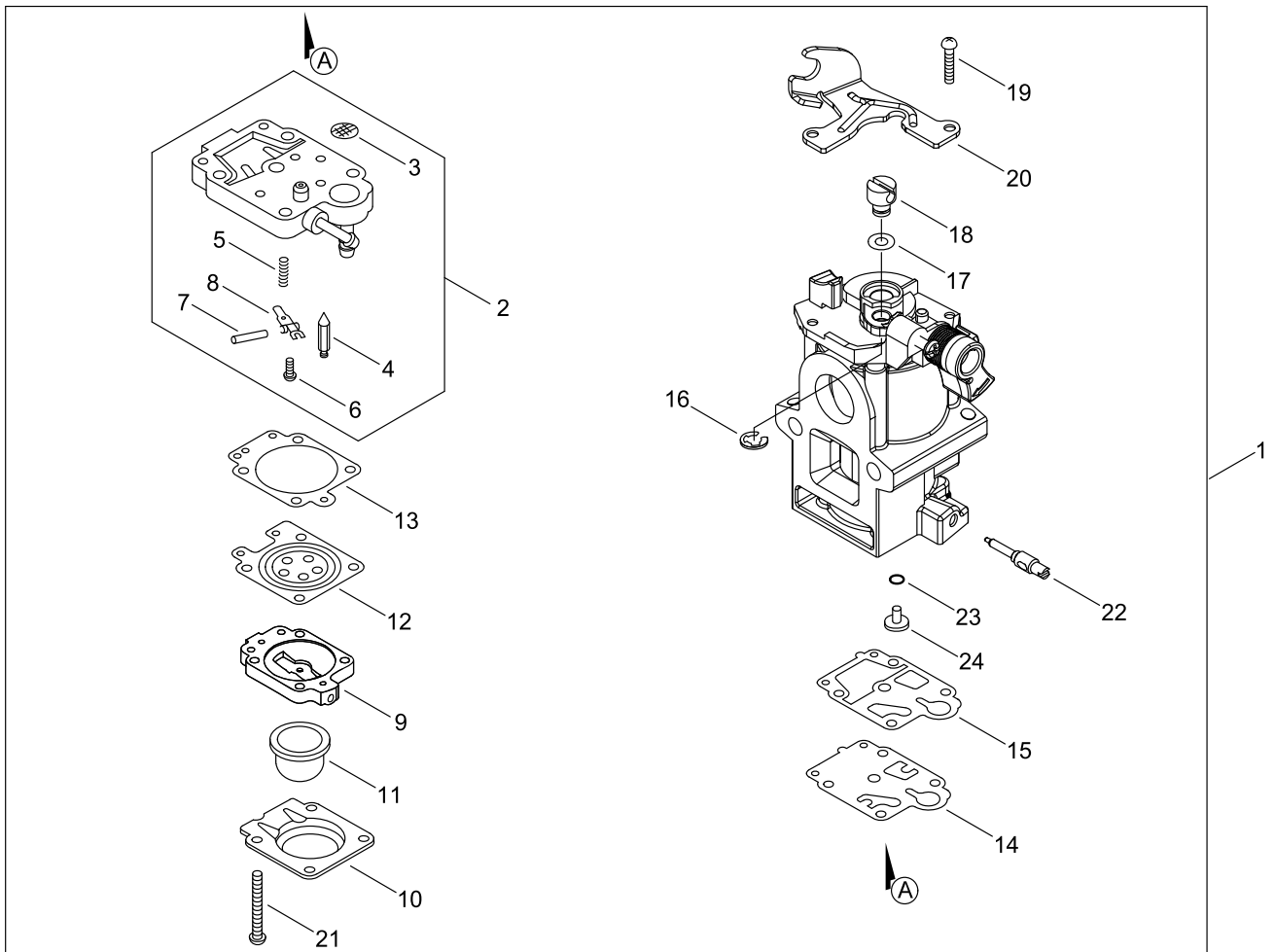
# AIR CLEANER, CARBURETOR



## AIR CLEANER, CARBURETOR

Key No.	LV (+)	Part No	Description	Qty	Standard
1		A200-001210	INSULATOR, INTAKE	1	
2		V103-002150	GASKET,INTAKE	1	
3		V203-002430	BOLT,5	4	TB2468(MEC) 10MM
4		A021-004920	CARBURETOR, DIAPHRAGM	1	WYA EX6069
5		A246-000050	CAP,CARBURETOR	1	
6		V103-002050	GASKET,INTAKE	1	PS8525,T=0.85
7		V103-002060	GASKET,INTAKE	1	PS8525,T=0.85
8		A221-000040	FIXTURE, CLEANER	1	
9		A161-000400	DUCT, AIR	1	
10		V804-000000	BOLT, TORX 4	1	TT-4*12 DG 10.9
11		V805-000100	BOLT, TORX 5	2	TB-5*65 10.9
12		A239-000120	PIPE, INTAKE	1	
13		V495-000440	BAND	1	77.8MM /101.6MM
14		V495-000590	BAND	1	33MM /57MM
15		A225-000740	CASE,CLEANER	1	
16		V582-000300	RING,SNAP	2	2.6
17		V805-000010	BOLT, TORX 5	4	TT-5*20 DG 10.9
18		A232-002000	LID,CLEANER	1	
19		A235-000460	KNOB,CLEANER LID	2	
20		A226-002070	ELEMENT, AIR FILTER	1	PB-79SX
21		A226-002250	ELEMENT, AIR FILTER	1	ID #2640
22		X503-015360	LABEL,MODEL	1	PB-8010

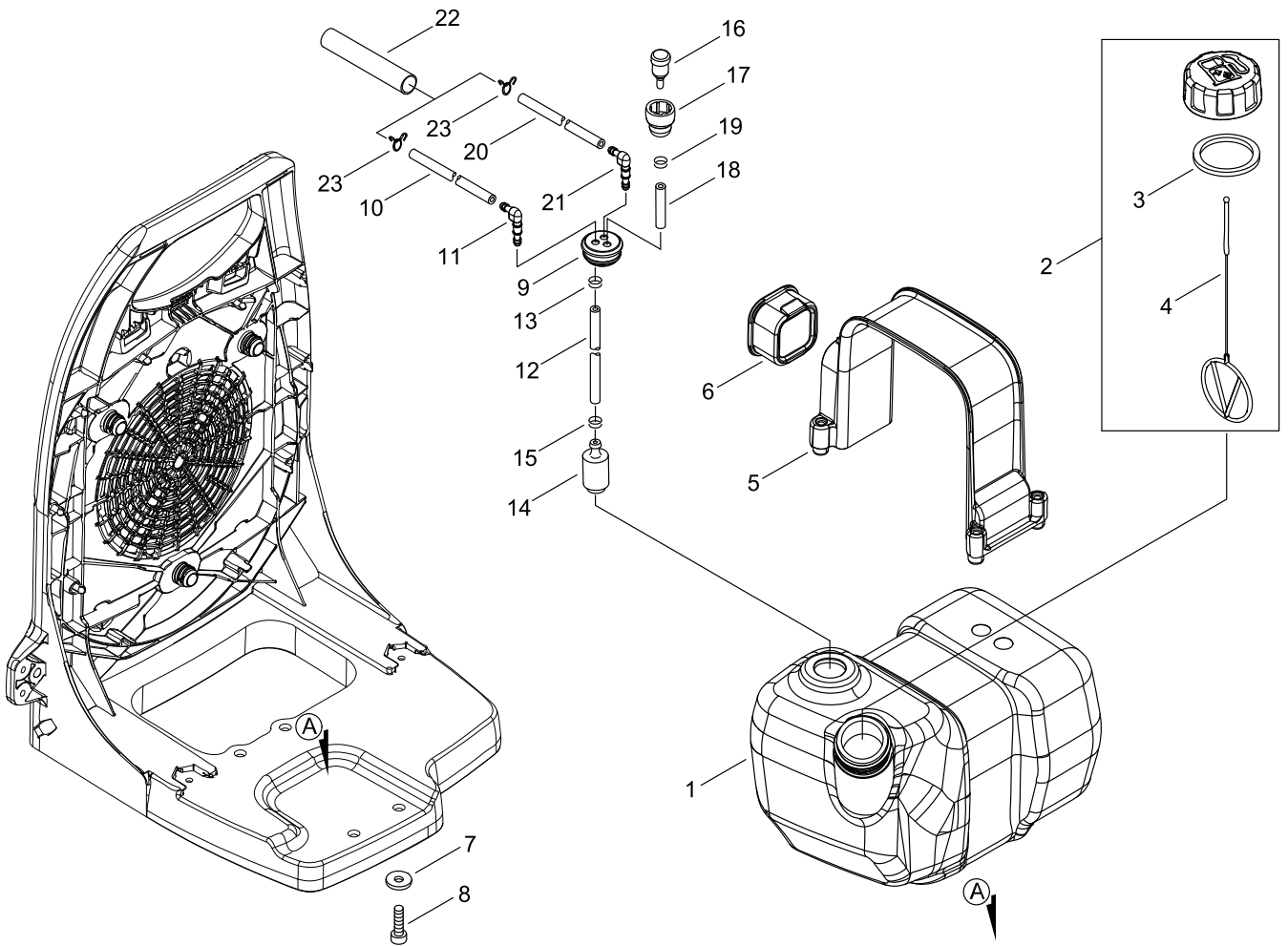
# CARBURETOR



## CARBURETOR

Key No.	LV (+)	Part No	Description	Qty	Standard
1		A021-004920	CARBURETOR, DIAPHRAGM	1	WYA EX6069
2	+	P003-006180	BODY ASSEMBLY, PUMP	1	
3	++	123126-10631	SCREEN, INLET	1	
4	++	123137-19830	VALVE, INLET NEEDLE	1	
5	++	123122-05560	SPRING, METER. LEVER	1	
6	++	P003-005510	SCREW	1	
7	++	123138-03930	PIN, METERING LEVER	1	
8	++	123123-03930	LEVER, METERING	1	
9	+	P003-003980	BODY, AIR PURGE	1	
10	+	123142-05560	COVER, PRIMER PUMP	1	
11	+	123181-40630	PUMP, PRIMER	1	
12	+	P003-001850	DIAPHRAGM, METERING	1	
13	+	123140-05560	GASKET, M. DIAPHRAGM	1	
14	+	P003-005650	DIAPHRAGM, FUEL PUMP	1	
15	+	P003-004100	GASKET, PUMP	1	
16	+	123173-07930	CLIP	1	
17	+	123149-54230	WASHER	1	
18	+	123172-45130	SWIVEL	1	
19	+	123114-40630	SCREW	2	
20	+	P003-006190	BRACKET CABLE	1	
21	+	123110-05560	SCREW, PUMP COVER	4	
22	+	P003-005880	NEEDLE	1	
23	+	123183-40630	O-RING	1	
24	+	P003-006200	JET	1	

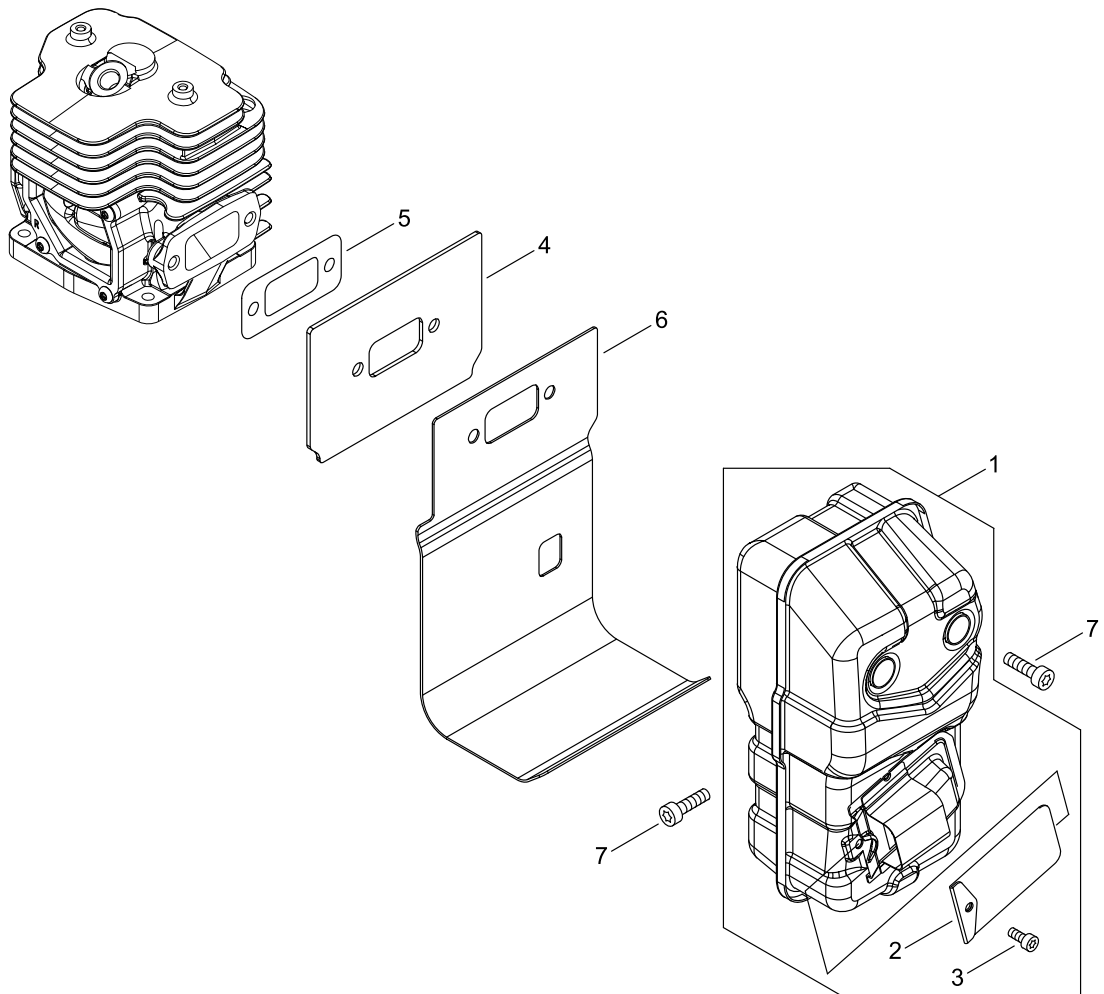
# FUEL TANK



## FUEL TANK

Key No.	LV (+)	Part No	Description	Qty	Standard
1		A350-002690	TANK, FUEL	1	
2		P021-012211	CAP,FUEL ASY	1	
3	+	V107-000190	GASKET,FUEL CAP	1	37.9*T2.2
4	+	A365-000060	CONNECTOR,CAP	1	L=123
5		A392-000460	BAND, FUEL TANK	1	
6		V420-005400	CUSHION	1	
7		131911-03460	WASHER	4	
8		V253-000990	SCREW,5	4	TB2403 12MM
9		132115-55931	GROMMET, FUEL	1	3 $\phi$ 5
10		V471-005410	PIPE	1	3.5*6*160
11		V186-000500	JOINT,PIPE	1	
12		V471-001231	PIPE	1	3*5*210
13		V490-001240	CLIP	1	
14		A369-000460	STRAINER, FUEL	1	
15		V490-001240	CLIP	1	
16		A356-000031	VALVE,CHECK	1	
17		131328-40630	COVER, VENT	1	
18		V471-005421	PIPE	1	3*6*30
19		V490-001230	CLIP	1	
20		V471-005430	PIPE	1	3*6*170
21		V186-000500	JOINT,PIPE	1	
22		V475-009460	TUBE	1	16*18*90
23		V490-000510	CLIP	2	

# MUFFLER

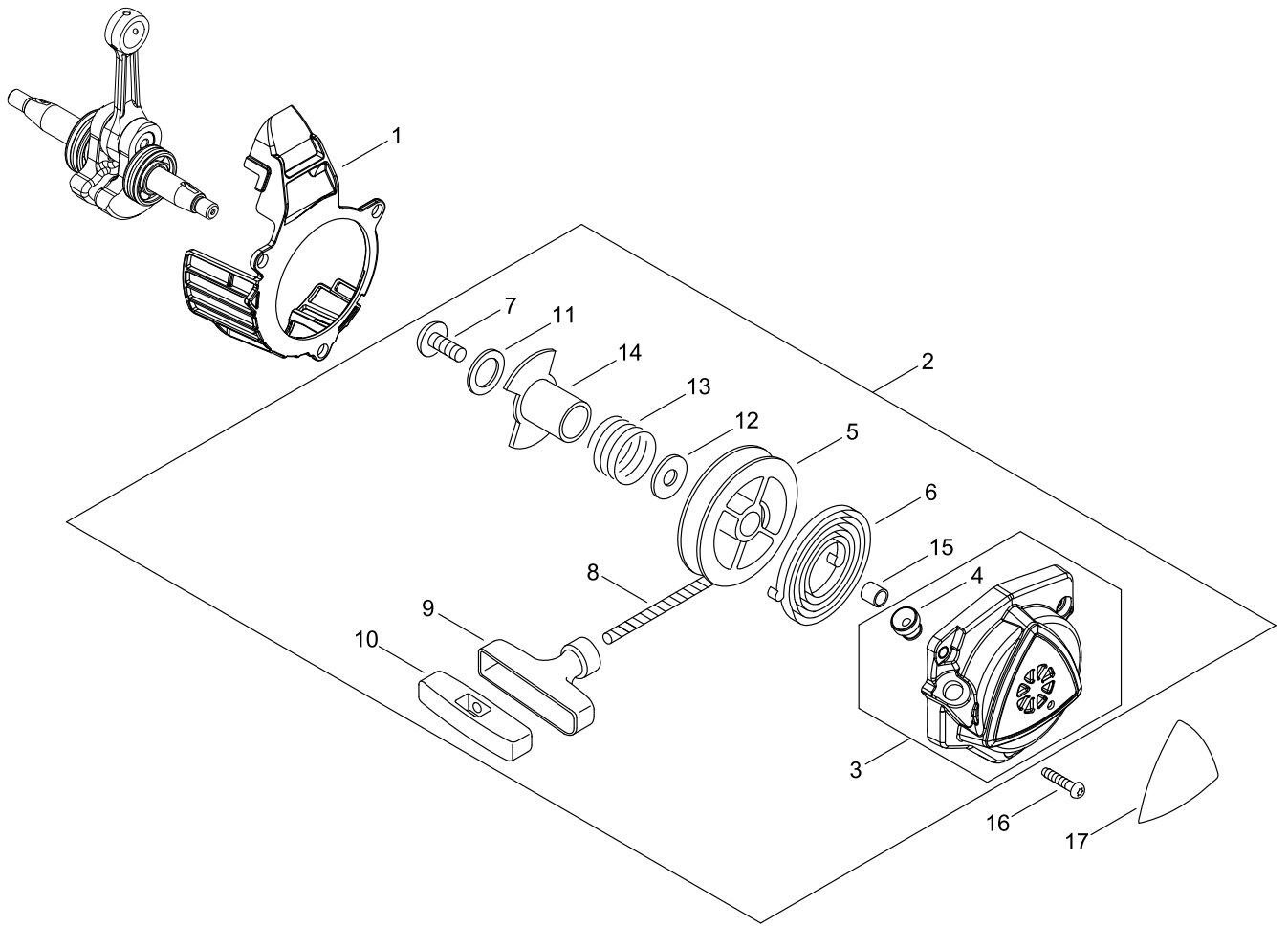


## MUFFLER

Key No.	LV (+)	Part No	Description	Qty	Standard
1		P100-006321	MUFFLER ASY	1	
2	+	A310-000540	SCREEN, ARRESTOR	1	
3	+	V804-000030	BOLT, TORX 4	1	TB-4*8 10.9
4		A312-000140	PLATE, EXHUST	1	T2.0
5		V104-002440	GASKET,EXHAUST	1	T0.5
6		V104-002430	GASKET,EXHAUST	1	T=1.0
7		V806-000010	BOLT, TORX 6	3	TB-6*20 10.9



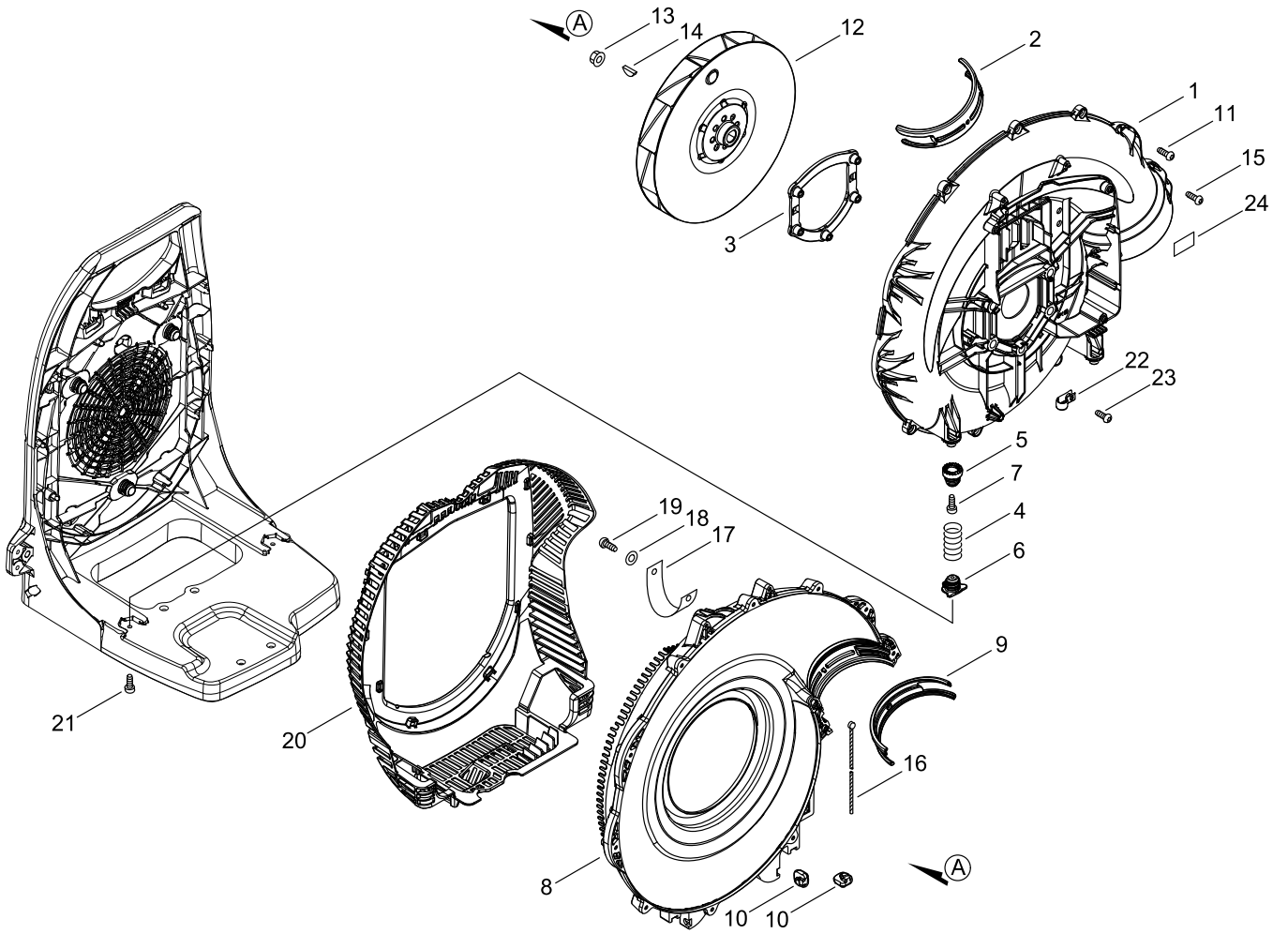
# RECOIL STARTER



## RECOIL STARTER

Key No.	LV (+)	Part No	Description	Qty	Standard
1		V376-002611	SPACER	1	
2		A051-003410	STARTER,RECOIL ASY	1	ASSY
3	+	P022-052810	CASE, STARTER	1	
4	++	P022-045770	GUIDE, ROPE	1	
5	+	P022-052820	DRUM, STARTER	1	
6	+	P022-052830	SPRING, SPIRAL	1	
7	+	177236-61830	SCREW	1	
8	+	P022-052840	ROPE, STARTER	1	
9	+	177228-11620	GRIP, STARTER	1	
10	+	P022-010260	CAP, GRIP	1	
11	+	P022-052850	WASHER, THRUST	1	
12	+	P022-052860	WASHER	1	
13	+	P022-052870	SPRING, FRICTION	1	
14	+	P022-052880	PLATE, FRICTION	1	
15	+	P022-052890	COLLAR	1	
16		V805-000010	BOLT, TORX 5	3	TT-5*20 DG 10.9
17		X502-001160	LABEL,ECHO	1	ECHO

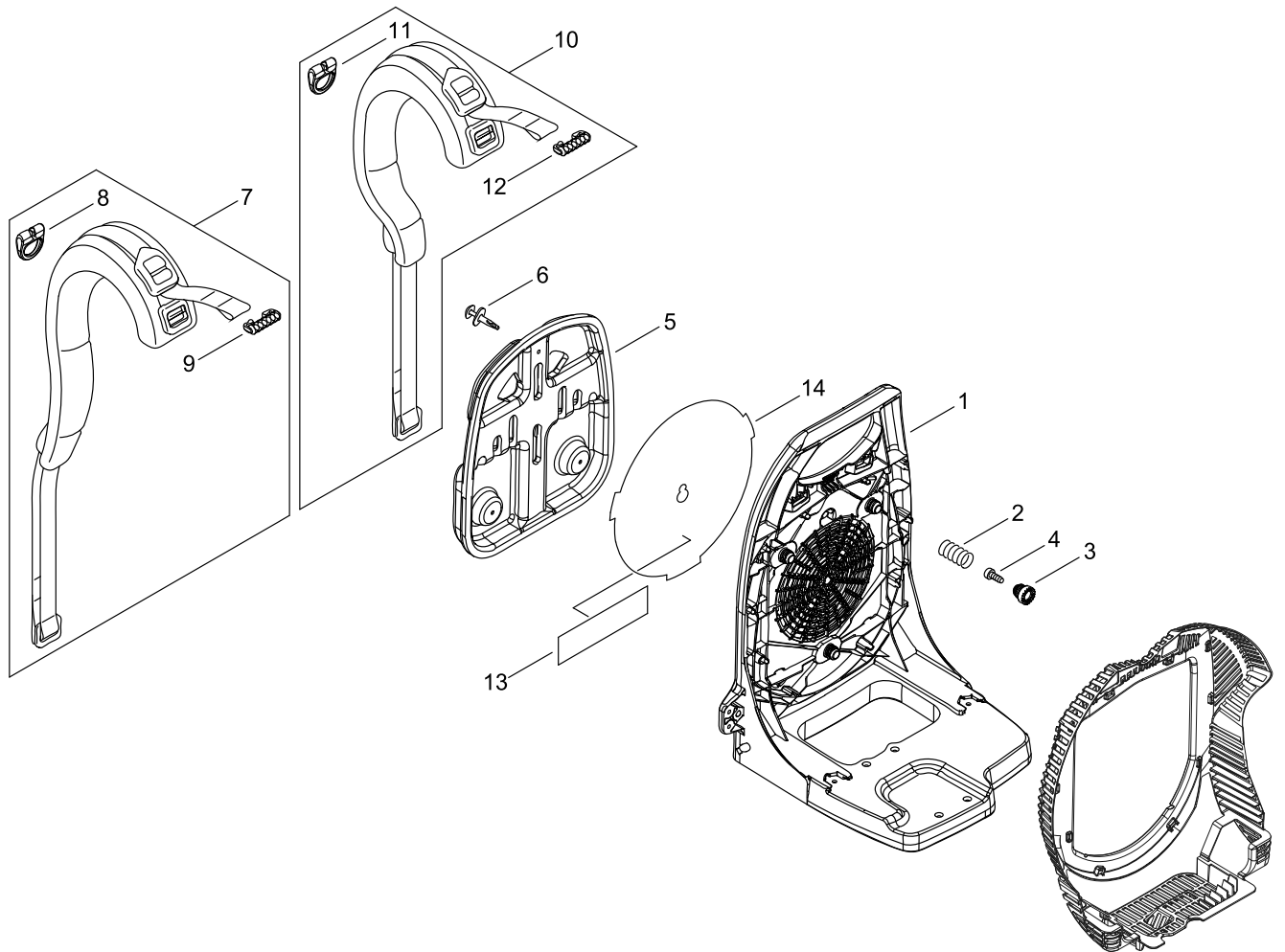
# FAN CASE



## FAN CASE

Key No.	LV (+)	Part No	Description	Qty	Standard
1		E103-001581	CASE,FAN	1	E SIDE
2		V376-002620	SPACER	1	
3		C632-000270	PLATE, ENG	1	
4		V450-000780	SPRING,COMPRESSION	2	2.6-19.4-46.2
5		V456-000331	HOLDER,SPRING	2	
6		V456-000380	HOLDER,SPRING	2	
7		V805-000010	BOLT, TORX 5	2	TT-5*20 DG 10.9
8		E103-001620	CASE,FAN	1	G SIDE
9		V376-002620	SPACER	1	
10		V420-005410	CUSHION	4	
11		V805-000010	BOLT, TORX 5	9	TT-5*20 DG 10.9
12		E100-000300	FAN,BLOWER	1	
13		900519-00010	NUT, FLANGE	1	10
14		900323-03014	KEY, WOODRUFF	1	3*14
15		V805-000010	BOLT, TORX 5	2	TT-5*20 DG 10.9
16		V485-003160	LEAD	1	
17		C651-000120	BELT, HARNESS	1	T1.2*20*170
18		131911-03460	WASHER	1	
19		V805-000010	BOLT, TORX 5	1	TT-5*20 DG 10.9
20		E104-000290	GRID, BLOWER	1	
21		V805-000010	BOLT, TORX 5	2	TT-5*20 DG 10.9
22		132112-22031	CLIP, FUEL PIPE	1	
23		V805-000010	BOLT, TORX 5	1	TT-5*20 DG 10.9
24		X505-010760	LABEL,CAUTION	1	ISO SYMBOL PB

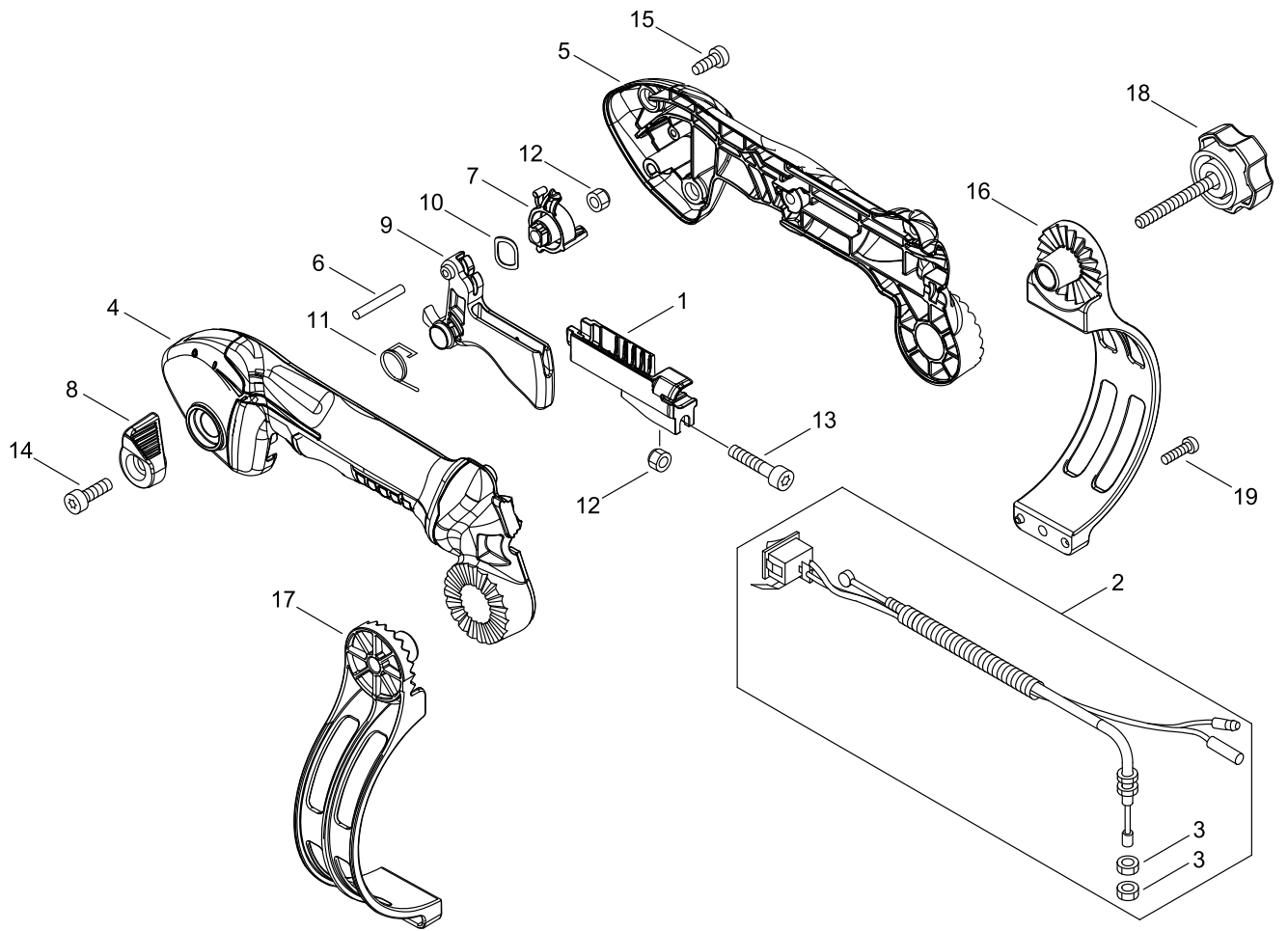
# BACKPACK HARNESS



## BACKPACK HARNESS

Key No.	LV (+)	Part No	Description	Qty	Standard
1		C620-000530	FRAME, BACKPACK	1	
2		V450-000780	SPRING, COMPRESSION	3	2.6-19.4-46.2
3		V456-000331	HOLDER, SPRING	3	
4		V805-000010	BOLT, TORX 5	3	TT-5*20 DG 10.9
5		C630-000280	SEAT, BACKPACK	1	
6		V491-000540	CLIP	3	PUSH FASTENER
7		P100-008031	HARNESS KIT	1	
8	+	C645-000080	BUCKLE, HARNESS	2	
9	+	V491-000480	CLIP	1	
10		P100-008041	HARNESS KIT	1	
11	+	C645-000080	BUCKLE, HARNESS	2	
12	+	V491-000480	CLIP	1	
13		X505-009090	LABEL, CAUTION	1	
14		C635-000010	LID, SEAT	1	

# THROTTLE

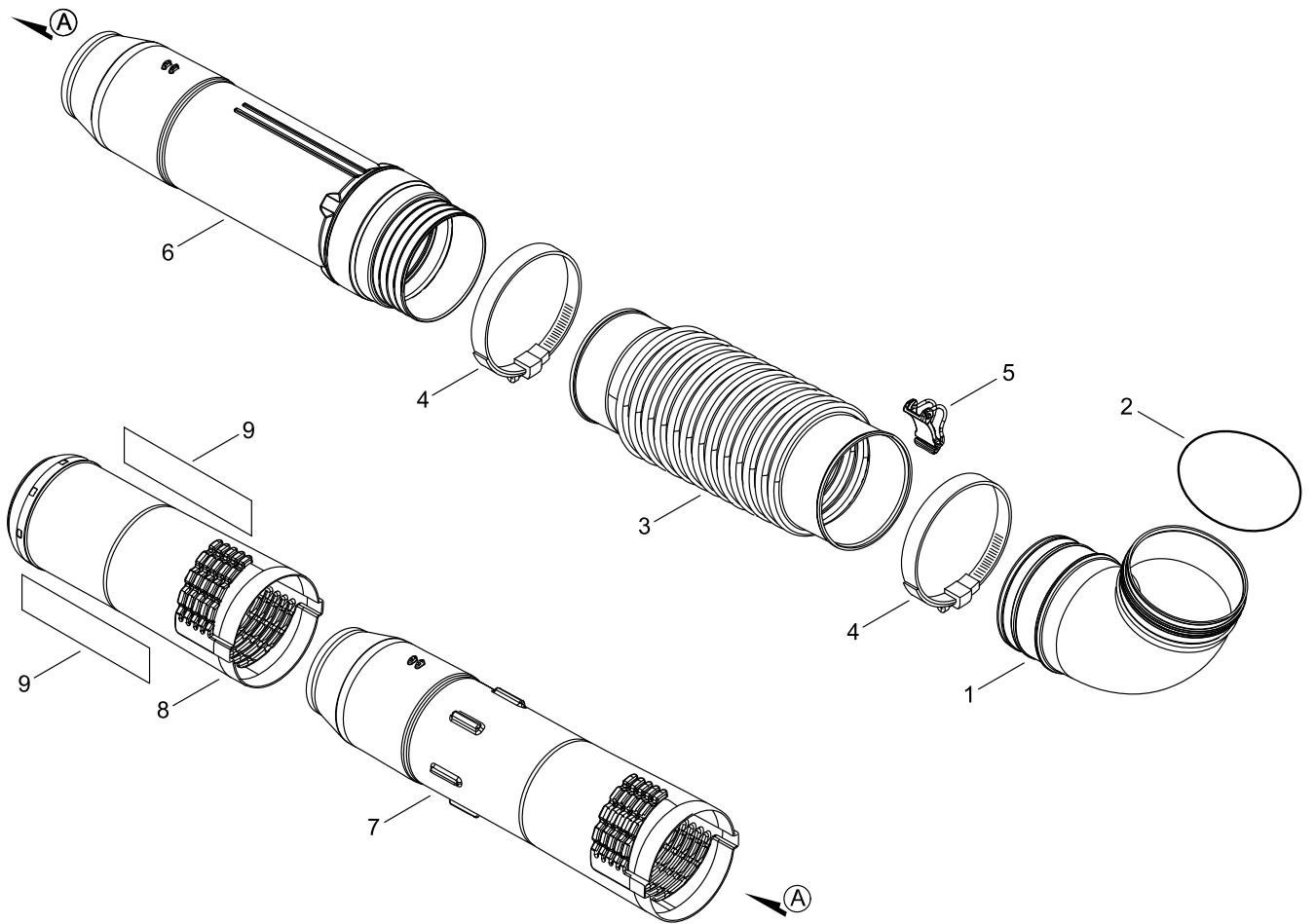


## THROTTLE

Key No.	LV (+)	Part No	Description	Qty	Standard
1		C482-000101	CONNECTOR, CABLE	1	
2		V043-001210	CABLE ASY, CONTROL	1	
3	+	900502-00006	NUT	2	6
4		C400-001532	HANDLE,FRONT	1	LEFT GRIP 2SHOT
5		C400-001541	HANDLE,FRONT	1	RIGHT GRIP 2SHOT
6		V621-000040	PIN,STRAIGHT 3	1	3*32
7		C453-000580	LEVER, THROTTLE	1	
8		C453-000560	LEVER, THROTTLE	1	
9		C450-000941	CONTROL, THROTTLE	1	
10		429752-01850	WASHER, WAVE 12	1	
11		V452-001630	SPRING,TORSION	1	SPRING
12		900562-50005	NUT, LOCK	2	5
13		V805-000050	BOLT, TORX 5	1	TB-5*30 10.9
14		V805-000160	BOLT, TORX 5	1	TB-5*20 10.9
15		V805-000000	BOLT, TORX 5	4	TT-5*16 DG 10.9
16		C405-000620	BRACKET,HANDLE	1	
17		C405-000630	BRACKET,HANDLE	1	
18		V299-000630	KNOB,FASTENER	1	BOLT/ V299520010X
19		V805-000010	BOLT, TORX 5	1	TT-5*20 DG 10.9



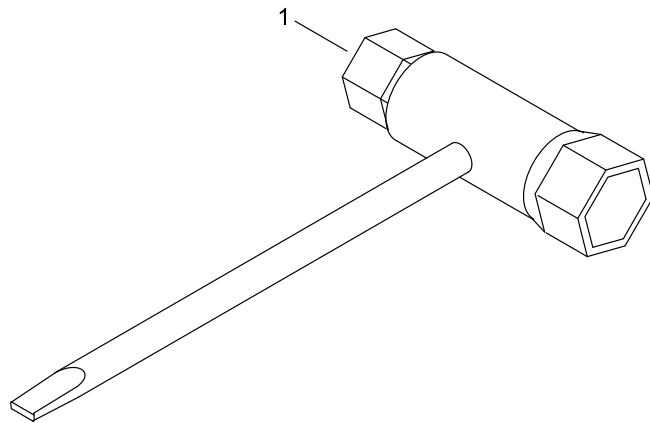
# PIPE



## PIPE

Key No.	LV (+)	Part No	Description	Qty	Standard
1		E160-000200	PIPE,MAIN	1	
2		92501-12000	O-RING	1	G120
3		E164-000150	PIPE,FLEXIBLE	1	
4		V495-003850	BAND	2	SET TO 110MM MIN
5		C487-000420	HOLDER, CABLE	1	CABLE HOLDER ASM
6		E165-001090	PIPE,BLOWER	1	VERSION 2 "T
7		E165-001070	PIPE,BLOWER	1	VERSION 2
8		E165-001000	PIPE,BLOWER	1	
9		890118-04262	LABEL, ECHO	2	194*44

# ACCESSORIES



## ACCESSORIES

Key No.	LV (+)	Part No	Description	Qty	Standard
1		X602-000160	PLUG WRENCH	1	

# NUMERICAL PARTS INDEX

Part No	Part description	Page	Part No	Part description	Page	Part No	Part description	Page
100015-30830	CIRCLIP, PISTON PIN	2	A232-002000	LID,CLEANER	8	P003-006180	BODY ASSEMBLY, PUMP	10
123110-05560	SCREW, PUMP COVER	10	A235-000460	KNOB,CLEANER LID	8	P003-006190	BRACKET CABLE	10
123114-40630	SCREW	10	A239-000120	PIPE, INTAKE	8	P003-006200	JET	10
123122-05560	SPRING, METER. LEVER	10	A246-000050	CAP,CARBURETOR	8	P021-012211	CAP,FUEL ASY	12
123123-03930	LEVER, METERING	10	A310-000540	SCREEN, ARRESTOR	14	P022-010260	CAP, GRIP	16
123126-10631	SCREEN, INLET	10	A312-000140	PLATE, EXHUST	14	P022-045770	GUIDE, ROPE	16
123137-19830	VALVE, INLET NEEDLE	10	A350-002690	TANK, FUEL	12	P022-052810	CASE, STARTER	16
123138-03930	PIN, METERING LEVER	10	A356-000031	VALVE,CHECK	12	P022-052820	DRUM, STARTER	16
123140-05560	GASKET, M. DIAPHRAGM	10	A365-000060	CONNECTOR,CAP	12	P022-052830	SPRING, SPIRAL	16
123142-05560	COVER, PRIMER PUMP	10	A369-000460	STRAINER, FUEL	12	P022-052840	ROPE, STARTER	16
123149-54230	WASHER	10	A392-000460	BAND, FUEL TANK	12	P022-052850	WASHER, THRUST	16
123172-45130	SWIVEL	10	A409-001370	ROTOR, MAGNETO	6	P022-052860	WASHER	16
123173-07930	CLIP	10	A411-001870	COIL, IGNITION	6	P022-052870	SPRING, FRICTION	16
123181-40630	PUMP, PRIMER	10	A425-000060	SPARKPLUG	6	P022-052880	PLATE, FRICTION	16
123183-40630	O-RING	10	A427-000230	CAP,SPARK PLUG	6	P022-052890	COLLAR	16
131328-40630	COVER, VENT	12	C400-001532	HANDLE,FRONT	22	P100-006310	CRANKCASE SET	4
131911-03460	WASHER	12	C400-001541	HANDLE,FRONT	22	P100-006321	MUFFLER ASY	14
131911-03460	WASHER	18	C405-000620	BRACKET,HANDLE	22	P100-008020	PISTON KIT	2
132112-22031	CLIP, FUEL PIPE	18	C405-000630	BRACKET,HANDLE	22	P100-008031	HARNESS KIT	20
132115-55931	GROMMET, FUEL	12	C450-000941	CONTROL, THROTTLE	22	P100-008041	HARNESS KIT	20
159011-03432	COIL, SPARK PLUG	6	C453-000560	LEVER, THROTTLE	22	P100-008280	CYLINDER ASY	2
177228-11620	GRIP, STARTER	16	C453-000580	LEVER, THROTTLE	22	P200-001000	CRANKSHAFT ASY	2
177236-61830	SCREW	16	C482-000101	CONNECTOR, CABLE	22	V043-001210	CABLE ASY, CONTROL	22
429752-01850	WASHER, WAVE 12	22	C487-000420	HOLDER, CABLE	24	V100-000880	GASKET,CYL	2
890118-04262	LABEL, ECHO	24	C620-000530	FRAME, BACKPACK	20	V102-000320	GASKET,CRANKCASE	4
900323-03014	KEY, WOODRUFF	6	C630-000280	SEAT, BACKPACK	20	V103-002050	GASKET,INTAKE	8
900323-03014	KEY, WOODRUFF	18	C632-000270	PLATE, ENG	18	V103-002060	GASKET,INTAKE	8
900502-00006	NUT	22	C635-000010	LID,SEAT	20	V103-002150	GASKET,INTAKE	8
900519-00010	NUT, FLANGE	6	C645-000080	BUCKLE, HARNESS	20	V104-002430	GASKET,EXHAUST	14
900519-00010	NUT, FLANGE	18	C651-000120	BELT, HARNESS	18	V104-002440	GASKET,EXHAUST	14
900562-50005	NUT, LOCK	22	E100-000300	FAN,BLOWER	18	V107-000190	GASKET,FUEL CAP	12
92501-12000	O-RING	24	E103-001581	CASE,FAN	18	V186-000500	JOINT,PIPE	12
A021-004920	CARBURETOR, DIAPHRAGM	8	E103-001620	CASE,FAN	18	V202-000750	BOLT,4	6
A021-004920	CARBURETOR, DIAPHRAGM	10	E104-000290	GRID, BLOWER	18	V203-002430	BOLT,5	8
A051-003410	STARTER,RECOIL ASY	16	E160-000200	PIPE,MAIN	24	V204-001830	BOLT,6	4
A101-000750	RING, PISTON	2	E164-000150	PIPE,FLEXIBLE	24	V253-000990	SCREW,5	12
A160-003600	COVER,CYLINDER	2	E165-001000	PIPE,BLOWER	24	V299-000630	KNOB,FASTENER	22
A161-000400	DUCT, AIR	8	E165-001070	PIPE,BLOWER	24	V352-000300	COLLAR,4	6
A190-001651	COVER,ENGINE	2	E165-001090	PIPE,BLOWER	24	V376-002611	SPACER	16
A200-001210	INSULATOR, INTAKE	8	P003-001850	DIAPHRAGM, METERING	10	V376-002620	SPACER	18
A221-000040	FIXTURE, CLEANER	8	P003-003980	BODY, AIR PURGE	10	V420-005400	CUSHION	12
A225-000740	CASE,CLEANER	8	P003-004100	GASKET, PUMP	10	V420-005410	CUSHION	18
A226-002070	ELEMENT, AIR FILTER	8	P003-005510	SCREW	10	V450-000780	SPRING,COMPRESSION	18
A226-002250	ELEMENT, AIR FILTER	8	P003-005650	DIAPHRAGM, FUEL PUMP	10	V450-000780	SPRING,COMPRESSION	20
			P003-005880	NEEDLE	10	V452-001630	SPRING,TORSION	22

# NUMERICAL PARTS INDEX

Part No	Part description	Page	Part No	Part description	Page
V456-000331	HOLDER,SPRING	18	X503-015360	LABEL,MODEL	8
V456-000331	HOLDER,SPRING	20	X505-009090	LABEL,CAUTION	20
V456-000380	HOLDER,SPRING	18	X505-010760	LABEL,CAUTION	18
V471-001231	PIPE	12	X602-000160	PLUG WRENCH	26
V471-005410	PIPE	12			
V471-005421	PIPE	12			
V471-005430	PIPE	12			
V475-007540	TUBE	6			
V475-009460	TUBE	12			
V485-003160	LEAD	18			
V485-003170	LEAD	4			
V485-003180	LEAD	6			
V490-000510	CLIP	12			
V490-001230	CLIP	12			
V490-001240	CLIP	12			
V491-000480	CLIP	20			
V491-000540	CLIP	20			
V495-000440	BAND	8			
V495-000590	BAND	8			
V495-003850	BAND	24			
V508-000100	SEAL,OIL 15	4			
V510-000030	OIL SEAL	4			
V558-000020	BEARING,NEEDLE 13	2			
V582-000300	RING,SNAP	8			
V592-000490	BEARING, BALL	2			
V592-000510	BEARING, BALL	2			
V611-000020	PIN,ENG 13	2			
V621-000040	PIN,STRAIGHT 3	22			
V804-000000	BOLT, TORX 4	8			
V804-000030	BOLT, TORX 4	2			
V804-000030	BOLT, TORX 4	14			
V805-000000	BOLT, TORX 5	22			
V805-000010	BOLT, TORX 5	2			
V805-000010	BOLT, TORX 5	8			
V805-000010	BOLT, TORX 5	16			
V805-000010	BOLT, TORX 5	18			
V805-000010	BOLT, TORX 5	20			
V805-000010	BOLT, TORX 5	22			
V805-000050	BOLT, TORX 5	22			
V805-000100	BOLT, TORX 5	8			
V805-000160	BOLT, TORX 5	22			
V805-000290	BOLT, TORX 5	4			
V806-000010	BOLT, TORX 6	14			
V855-000010	BOLT, TORX 5	2			
X502-001160	LABEL,ECHO	16			