

# CS-501SXH

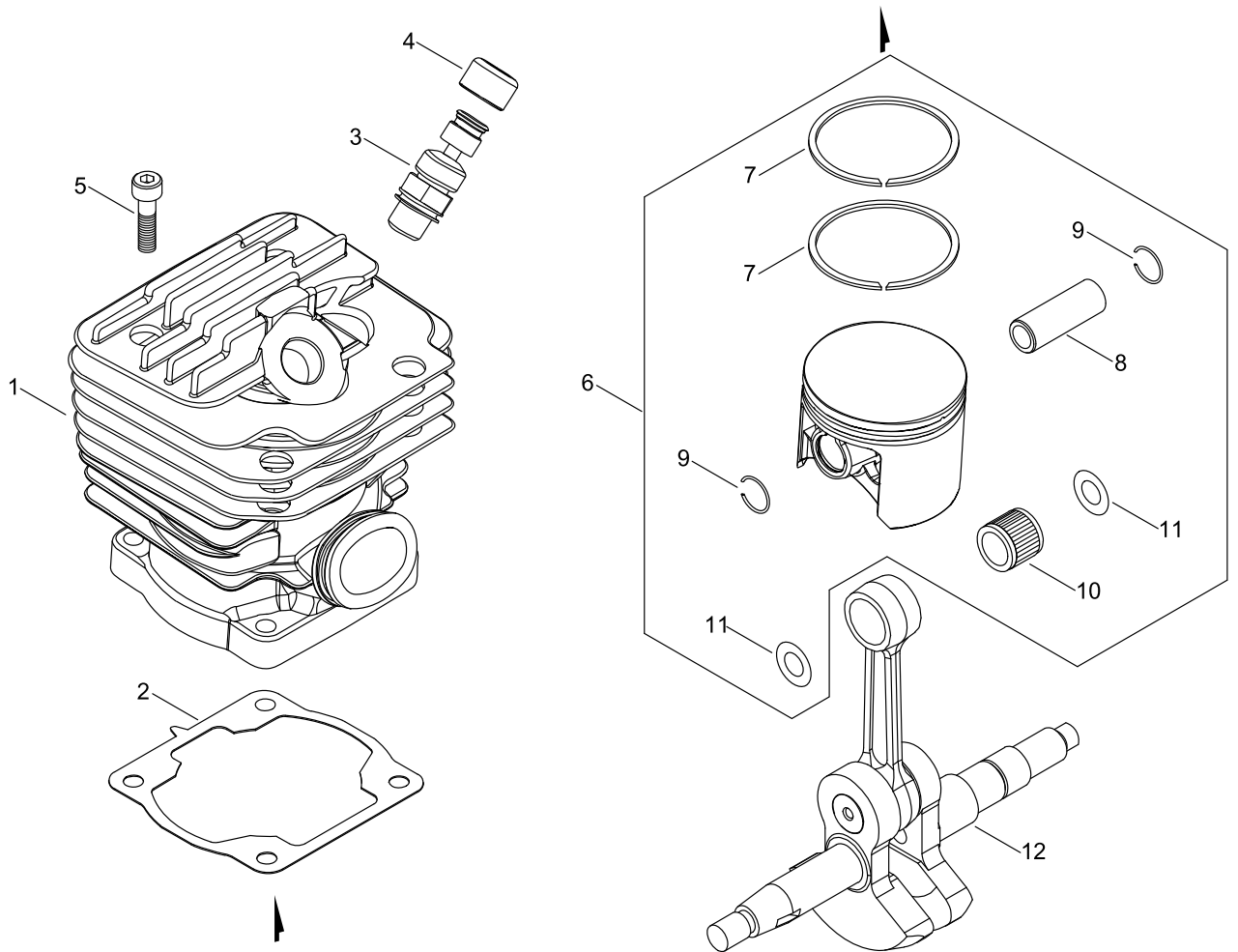
Published:02/14/2017

## TABLE OF CONTENTS

---

CYLINDER, PISTON, CRANKSHAFT.....	1
CRANKCASE .....	3
MAGNETO.....	5
AIR CLEANER, CARBURETOR.....	7
CARBURETOR.....	9
MUFFLER .....	11
RECOIL STARTER.....	13
HANDLE .....	15
CHAIN BRAKE.....	17
ACCESSORIES .....	21
GUIDE BAR, CHAIN .....	23
OPTION PARTS .....	25

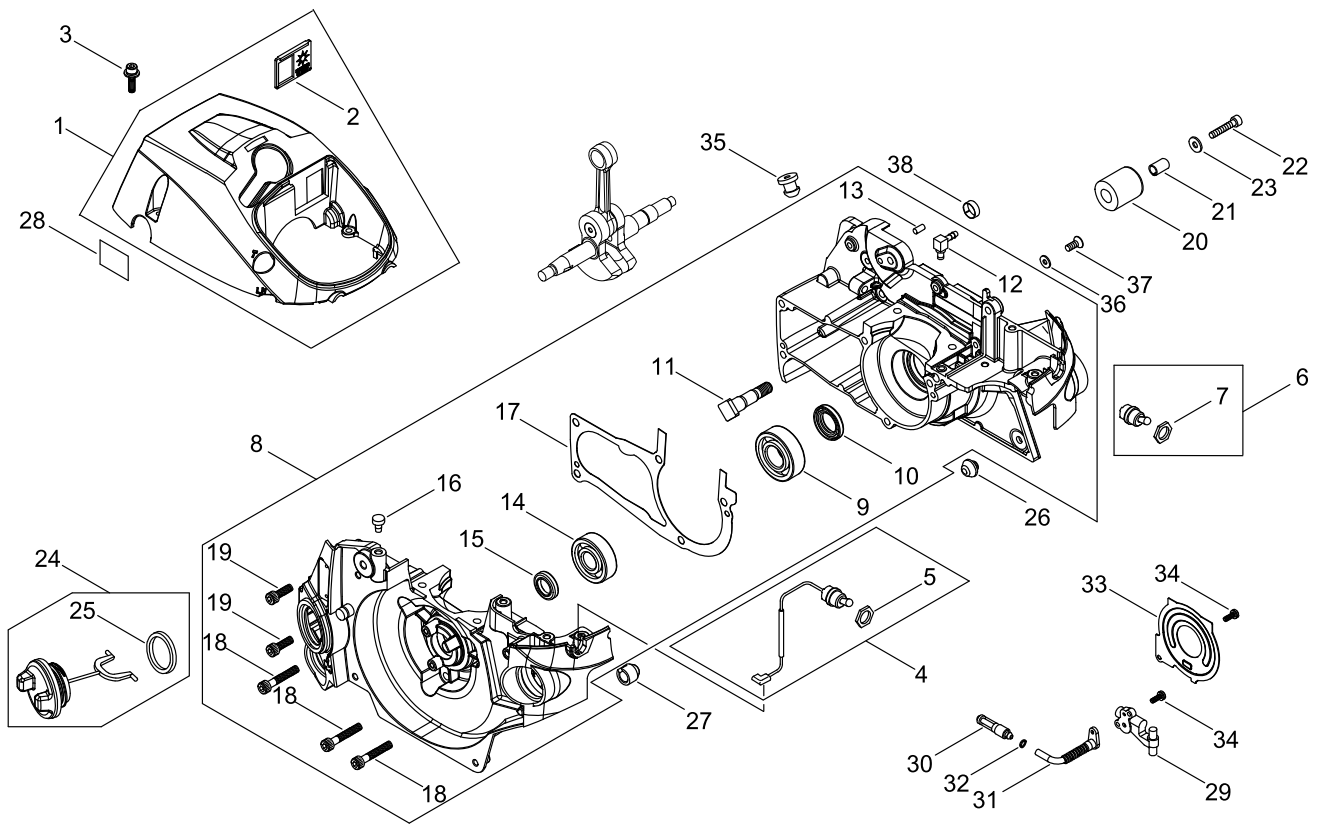
# CYLINDER, PISTON, CRANKSHAFT



## CYLINDER, PISTON, CRANKSHAFT

KEY NO	LV(+)	Part No	Description	Qty	Standard
1		A130-002280	CYLINDER	1	
2		V100-000620	GASKET,CYL	1	
3		A014-000120	RELEASE ASY., COMP.	1	
4		V141-000090	GROMMET,PLUG	1	
5		V203-001320	BOLT ADHESIVE	4	
6		P021-048650	PISTON KIT	1	
7	+	A101-000690	RING, PISTON	2	44*1.2*1.8
8	+	V609-000070	PIN,ENG 11	1	11*35.8 HL
9	+	V580-000030	RING,END	2	D 1.0
10	+	V556-000040	BEARING,NEEDLE 11	1	
11	+	V308-000040	WASHER,CIRCULAR 11	2	11.2*19.5*0.5
12		A011-001420	CRANKSHAFT,ASY	1	

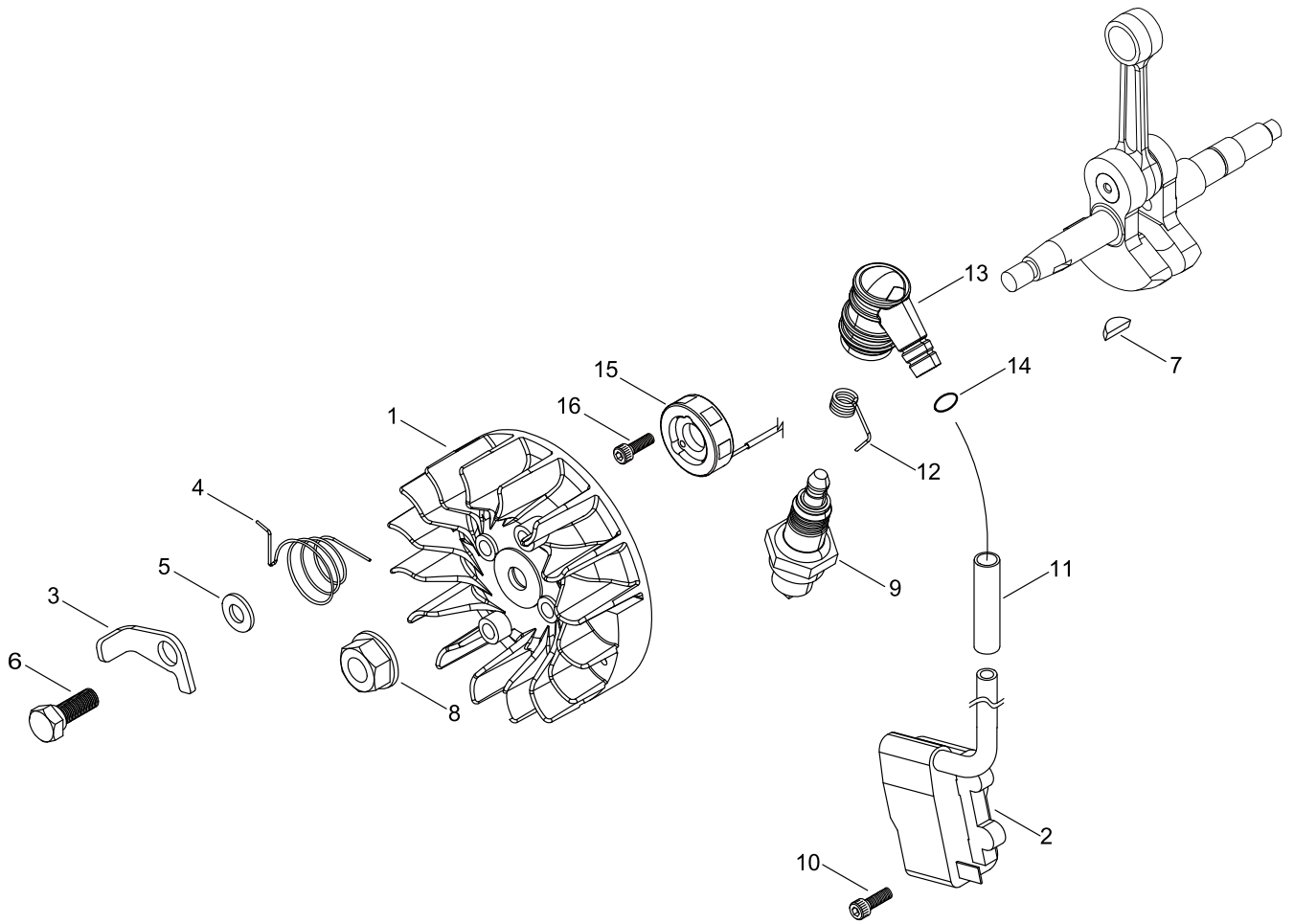
# CRANKCASE



## CRANKCASE

KEY NO	LV(+)	Part No	Description	Qty	Standard
1		P100-000740	CYLINDER COVER ASY	1	
2	+	A219-000040	SHUTTER,AIR	1	
3		V202-000690	BOLT,4	3	M4*14
4		P021-037400	SWITCH, ON OFF	1	
5	+	V266-000090	NUT,10	1	
6		A440-001630	SWITCH	1	
7	+	V266-000090	NUT,10	1	
8		P021-051950	CRANK CASE SET	1	
9	+	V592-000290	BEARING, BALL	1	6202X47C3
10	+	V508-000070	OIL SEAL	1	
11	+	V225-000150	BOLT,STUD	2	
12	+	437239-14730	NIPPLE	1	
13	+	V629-000000	ROLLER	2	
14	+	V592-000330	BEARING, BALL	1	6201X3C3
15	+	V505-000070	OIL SEAL	1	
16	+	A356-000130	VALVE,CHECK	1	
17	+	V102-000220	GASKET,CRANKCASE	1	
18	+	V203-001450	BOLT	3	
19	+	V203-001540	BOLT,ADHESIVE	2	
20		C310-000110	CATCHER, CHAIN	1	
21		V353-000460	BUSH	1	
22		900105-05030	BOLT, H.S. 5*30	1	5*30
23		900600-00005	WASHER 5	1	5
24		C020-000040	CAP	1	
25	+	V107-000090	GASKET	1	
26		V420-004980	CUSHION	1	
27		V420-002780	CUSHION	1	
28		890345-39231	LABEL,CAUTION	1	
29		C022-000121	AUTO-OILER ASSEMBLY	1	
30		C209-000070	STRAINER,OIL	1	
31		V470-001840	PIPE	1	
32		V490-001230	CLIP	1	
33		C236-000060	COVER,OILER	1	
34		V202-000520	BOLT,4	3	
35		V133-000040	GROMMET	1	
36		900603-00004	WASHER 4	1	4.5*10*0.8
37		900212-04008	SCREW 4*8	1	+SF4*8
38		V355-000460	COLLAR,8	1	

# MAGNETO

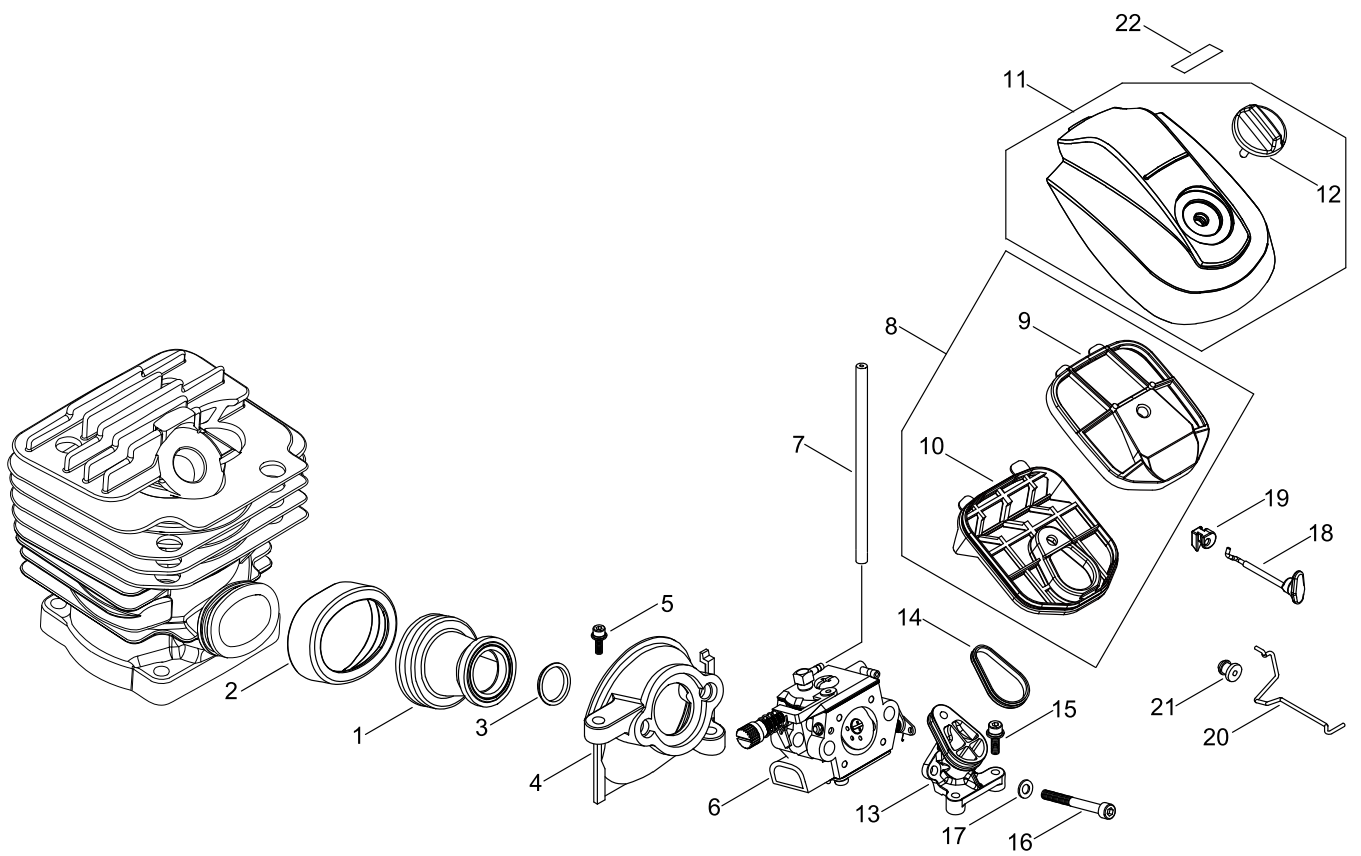


## MAGNETO

KEY NO	LV(+)	Part No	Description	Qty	Standard
1		A409-001081	ROTOR, MAGNETO	1	
2		P021-037541	COIL, IGNITION	1	
3		A514-000220	PAWL	2	
4		V452-000870	SPRING,TORSION	2	
5		V304-000270	WASHER,CIRCULAR 6	2	
6		V204-000620	BOLT	2	
7		93115-03010	KEY	1	3*10
8		V265-000220	NUT	1	
9		A425-000000	SPARKPLUG	1	BPMR8Y
10		V202-000540	BOLT,4	2	
11		V475-005180	TUBE	1	
12		A426-000040	TERMINAL,SPARKPLUG	1	
13		A427-000160	PLUG CAP	1	
14		900720-20007	O-RING 7	1	P-7
15		A041-000000	STATOR,ASM	1	
16		V202-000530	BOLT,4	2	



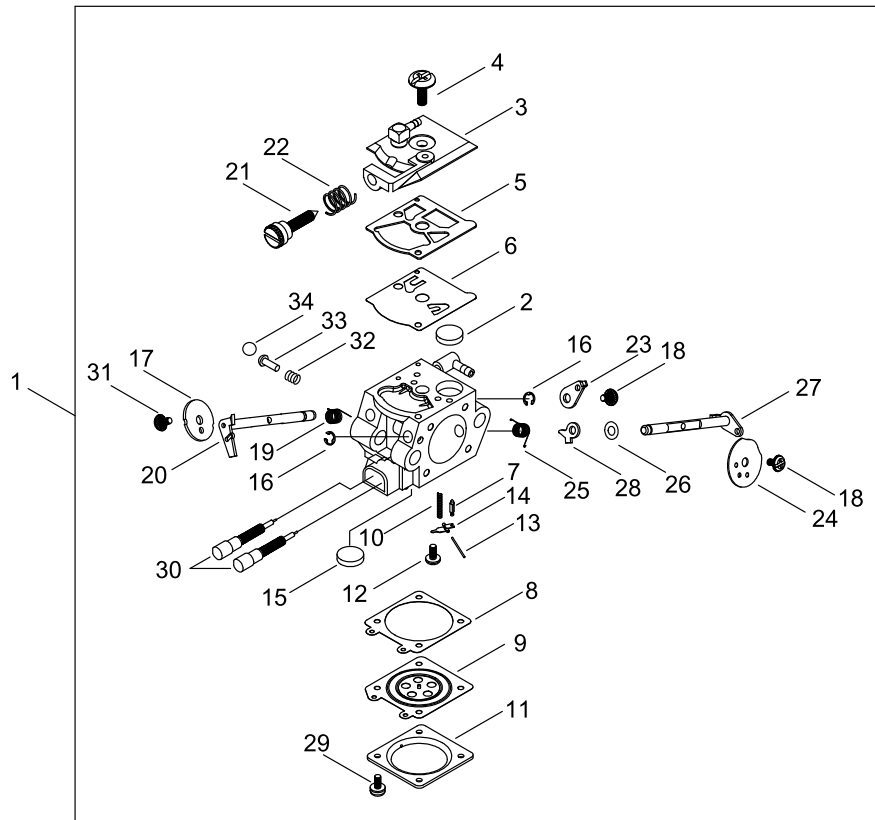
# AIR CLEANER, CARBURETOR



## AIR CLEANER, CARBURETOR

KEY NO	LV(+)	Part No	Description	Qty	Standard
1		A202-000150	BOOT	1	
2		A206-000030	HOLDER, BELLOWS	1	
3		V359-000200	COLLAR	1	
4		A200-001050	INSULATOR,INTAKE	1	
5		V202-000200	BOLT	2	
6		A021-004410	CARBURETOR, DIAPHRAGM	1	WT-1139 D-CUT
7		V471-002800	PIPE	1	
8		A226-001580	ELEMENT,AIR FILTER	1	
9	+	A226-001590	ELEMENT,AIR FILTER	1	
10	+	A226-001600	ELEMENT,AIR FILTER	1	
11		P100-000670	LID,CLEANER ASY	1	
12	+	A235-000270	KNOB,CLEANER LID	1	
13		A204-000220	ELBOW, CARBURETOR	1	
14		V581-000280	GASKET	1	
15		V202-000200	BOLT	2	
16		91100-05048	BOLT	2	
17		900600-00005	WASHER 5	2	5
18		A240-000111	ROD, CHOKE	1	
19		V130-000131	GROMMET,CHOKE	1	
20		C454-000280	ROD,THROTTLE	1	
21		V133-000040	GROMMET	1	
22		X503014150	LABEL,MODEL	1	

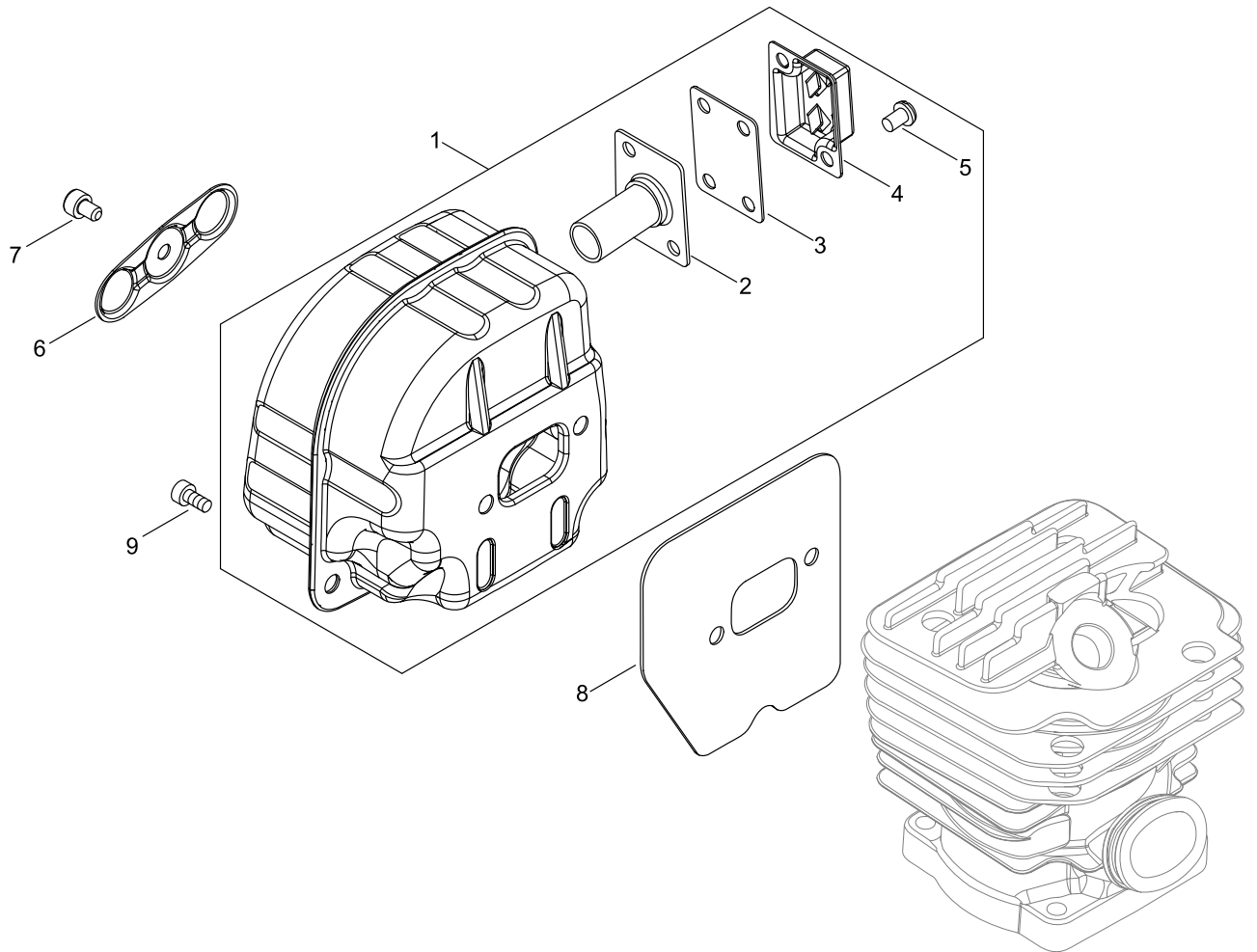
# CARBURETOR



## CARBURETOR

KEY NO	LV(+)	Part No	Description	Qty	Standard
1		A021-004410	CARBURETOR, DIAPHRAGM	1	WT-1139 D-CUT
2	+	123126-10631	SCREEN, INLET	1	
3	+	P003-005600	PUMP COVER ASY	1	
4	+	123110-03930	SCREW, PUMP COVER	1	
5	+	123125-15030	GASKET, FUEL PUMP	1	
6	+	123112-15030	DIAPHRAGM, FUEL PUMP	1	
7	+	123137-19830	VALVE, INLET NEEDLE	1	
8	+	123140-03930	GASKET, M. DIAPHRAGM	1	
9	+	P003-001850	DIAPHRAGM, METERING	1	
10	+	123122-03660	SPRING, METER. LEVER	1	
11	+	123142-03930	COVER, M. DIAPHRAGM	1	
12	+	123139-03930	SCREW, M. LEVER PIN	1	
13	+	123138-03930	PIN, METERING LEVER	1	
14	+	123123-03930	LEVER, METERING	1	
15	+	123146-10631	PLUG, WELCH	1	
16	+	123127-15030	RING	2	
17	+	123116-10530	VALVE, THROTTLE	1	
18	+	123114-38830	SCREW	2	
19	+	123113-37530	SPRING, THROTTLE RTN	1	
20	+	P003-005620	SHAFT ASSY	1	
21	+	P003-003650	IDEL SCREW	1	
22	+	123133-04260	SPRING, IDLE ADJUST	1	
23	+	P003-003180	THROTTLE LEVER	1	
24	+	P003-005590	VALVE, CHOKE	1	
25	+	P003-002260	SPRING	1	
26	+	123149-26030	WASHER	1	
27	+	P003-003190	SHAFT	1	
28	+	P003-001510	LEVER-FAST IDLE	1	
29	+	123130-02960	SCREW	4	
30	+	P003-004460	NEEDLE	2	
31	+	P003-002380	SCREW	1	
32	+	123186-09660	SPRING, START VALVE	1	
33	+	123185-09660	PISTON ASSY	1	
34	+	123136-09660	BALL	1	

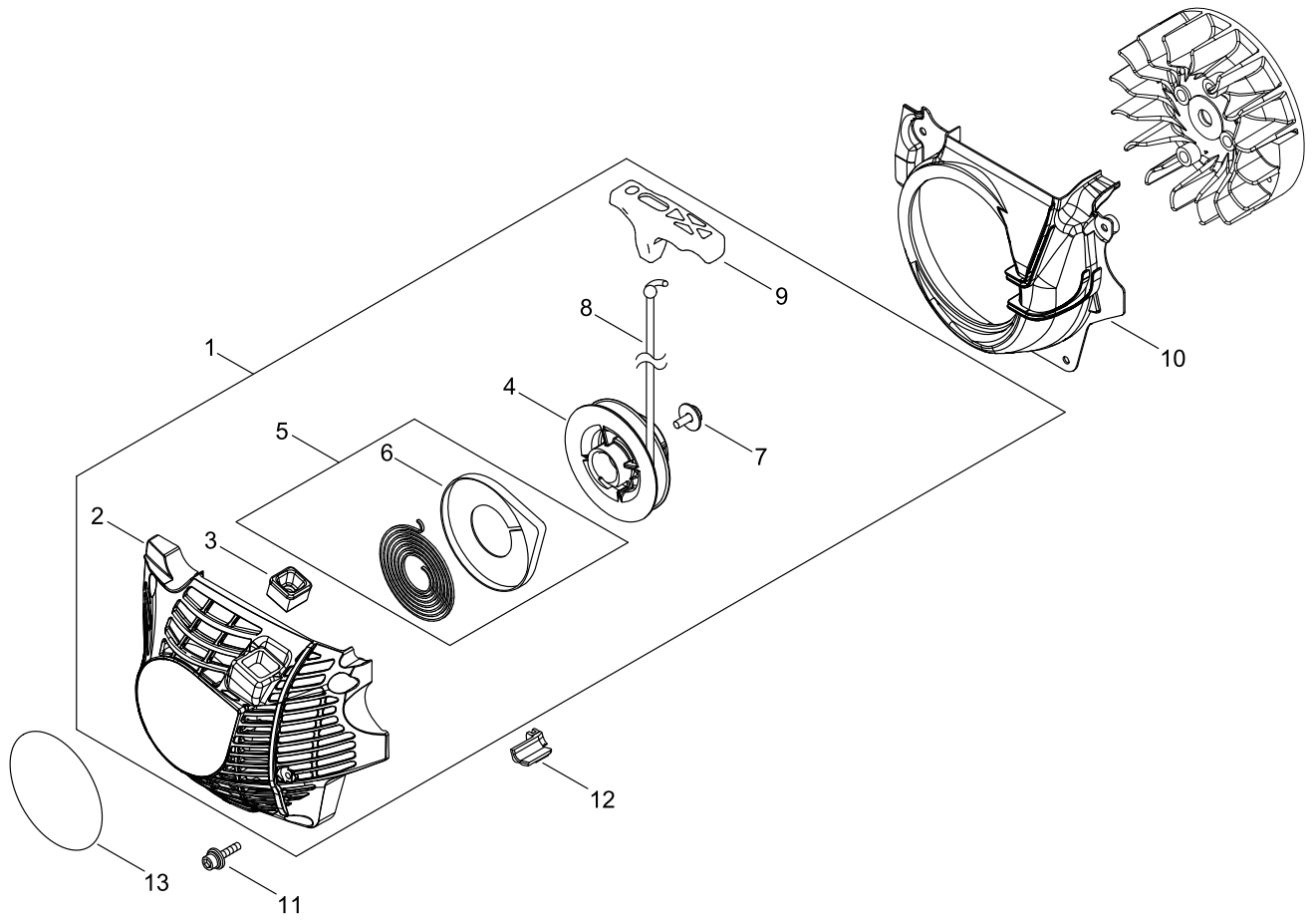
# MUFFLER



## MUFFLER

KEY NO	LV(+)	Part No	Description	Qty	Standard
1		P021-048660	MUFFLER ASY	1	
2	+	A313-001481	GUIDE, EXHAUST	1	
3	+	A310-000450	SCREEN, ARRESTOR	1	
4	+	A313-002010	GUIDE, EXHAUST	1	ID:2220
5	+	91578-04006	SCREW	2	
6		A301-000060	PLATE, MUFFLER	1	
7		900105-04006	BOLT, H.S. 4*6	1	4*6
8		V104-001780	GASKET,EXHAUST	1	
9		V203-002200	BOLT,5	4	M5X18

# RECOIL STARTER

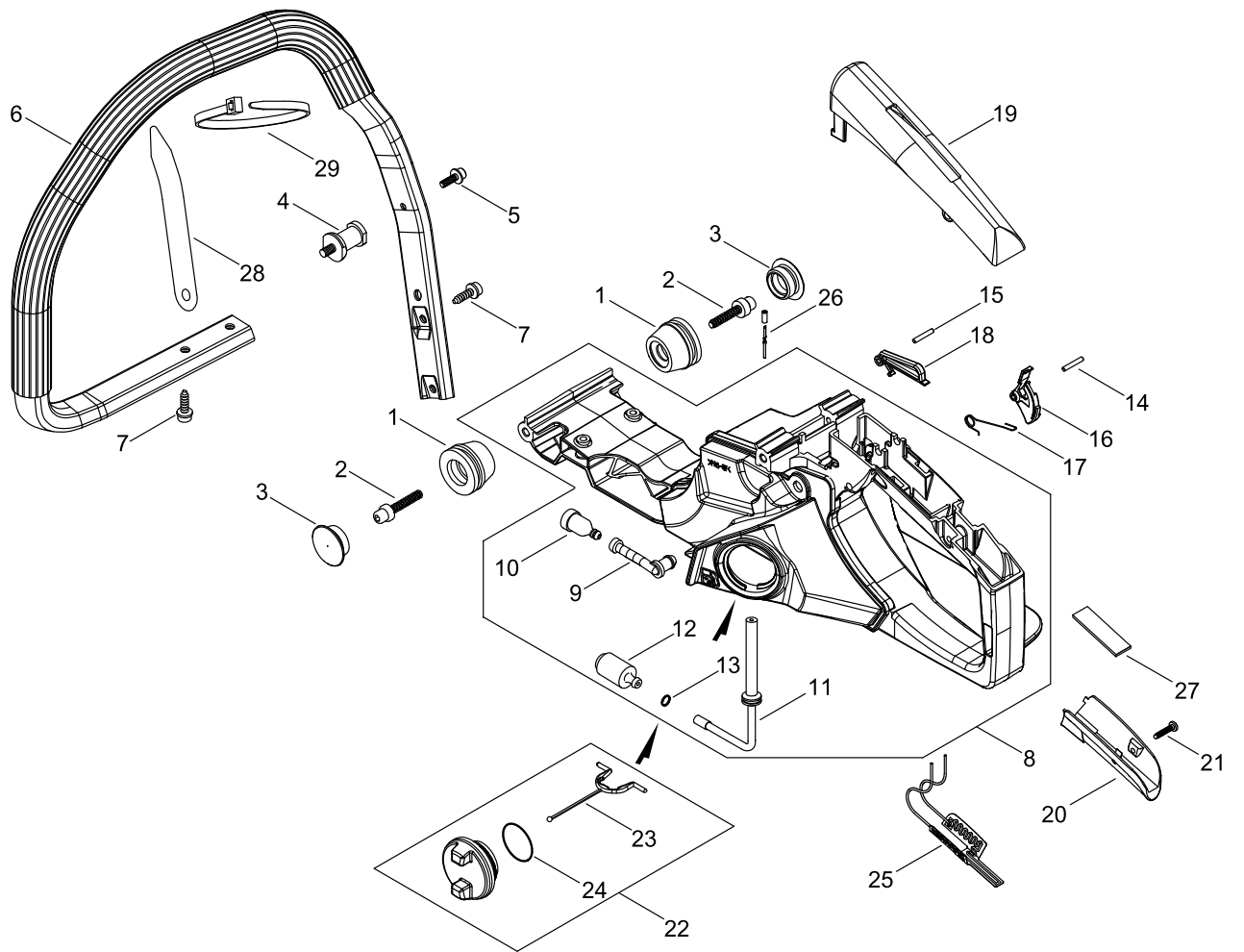


## RECOIL STARTER

KEY NO	LV(+)	Part No	Description	Qty	Standard
1		A051-003000	STARTER,RECOIL	1	
2	+	P022-039770	CASE, STARTER	1	
3	+	A510-000130	GUIDE,ROPE	1	
4	+	P022-039780	DRUM, STARTER	1	
5	+	A504-000190	RECOIL SPRING ASSY	1	
6	++	P022-039790	SPRING CASE	1	
7	+	177236-06910	SCREW	1	
8	+	P022-023100	ROPE, STARTER	1	
9	+	P022-036780	GRIP, STARTER	1	
10		A172-001870	COVER,FAN	1	
11		V202-000200	BOLT	4	
12		V131-000190	GROMMET,NEEDLE	1	
13		X502-000900	LABEL,ECHO	1	



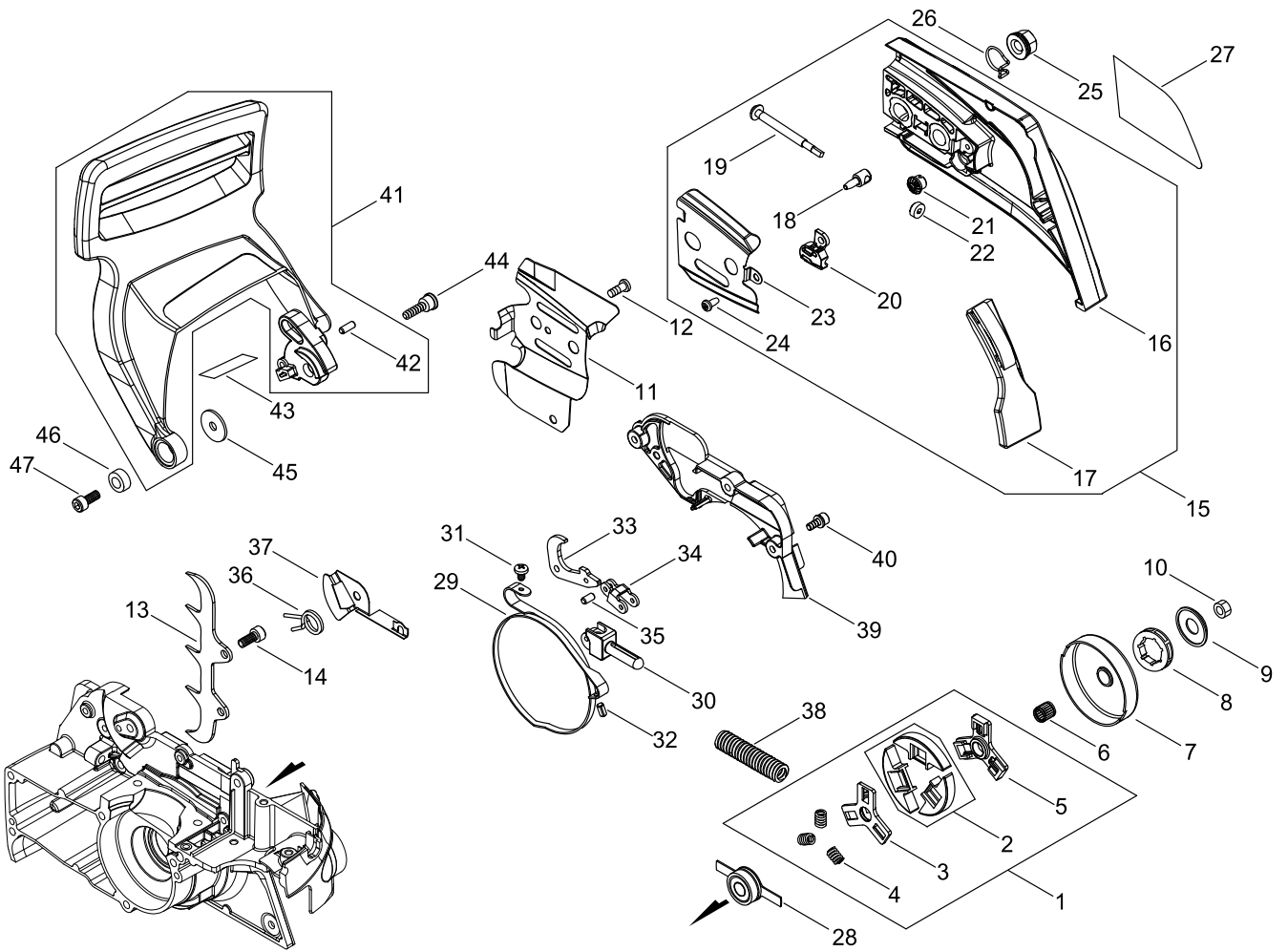
# HANDLE



## HANDLE

KEY NO	LV(+)	Part No	Description	Qty	Standard
1		V401-000610	CUSHION,5	4	
2		V203-001950	BOLT,5	4	
3		V421-000070	CAP,CUSHION	4	
4		V401-000330	CUSHION	1	
5		V202-000350	BOLT-SPW	1	M4-14
6		C040-000840	HANDLE, FRONT	1	
7		V203-001490	BOLT TAPPING	4	
8		P100-000750	HANDLE ASY, REAR	1	
9	+	V470-001530	PIPE	1	
10	+	131300-56431	VENT ASSEMBLY, FUEL	1	
11	+	V470-001520	PIPE	1	
12	+	A369-000450	STRAINER, FUEL	1	
13	+	V490-000500	CLIP	1	
14		93060-40250	PIN, SPRING	1	
15		93042-40220	PIN, SPRING	1	
16		C450-000642	CONTROL, THROTTLE	1	
17		V452-000850	SPRING,TORSION	1	
18		C460-000390	LOCKOUT,THROTTLE	1	
19		C411-000170	LID,HANDLE	1	
20		C403-000530	GRIP	1	
21		91449-04022	SCREW TAPPING	1	
22		A033-000370	CAP ASSY	1	
23	+	A365-000090	ANCHOR	1	
24	+	V107-000070	GASKET	1	
25		C406-000020	HEATER,HANDLE	1	
26		C483-000040	BOOT, CONNECTOR	2	
27		V420-002790	CUSHION	1	
28		C401-000260	COVER	1	
29		V495-001580	BAND	1	

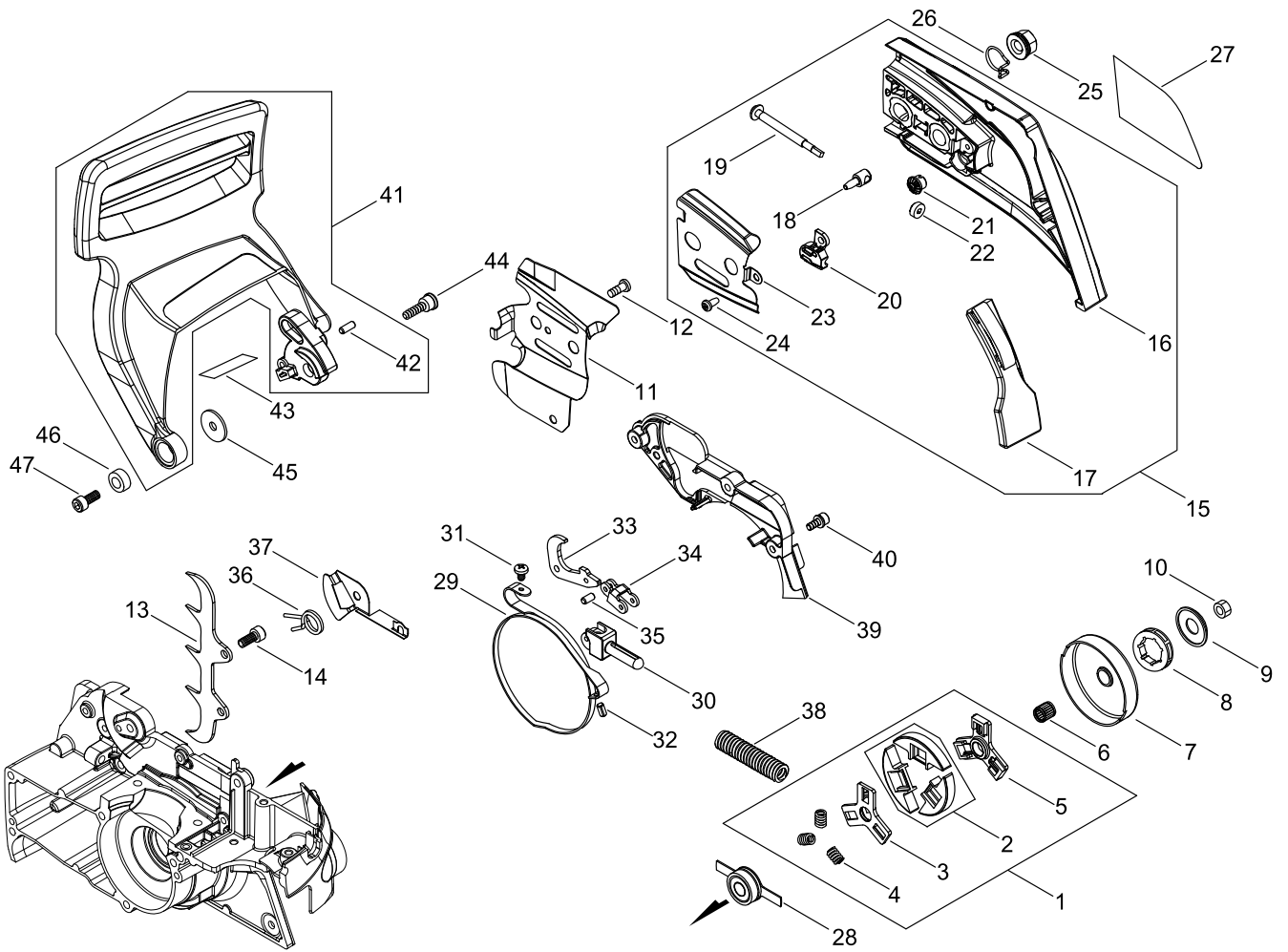
# CHAIN BRAKE



## CHAIN BRAKE

KEY NO	LV(+)	Part No	Description	Qty	Standard
1		A056-000611	CLUTCH ASY	1	
2	+	P100-000270	CLUTCH SHOE SET	1	
3	+	A552-000231	HUB, CLUTCH	1	
4	+	V451-000930	SPRING	3	
5	+	A552-000241	HUB, CLUTCH	1	
6		V555-000150	BEARING,NEEDLE	1	
7		A556-001121	DRUM, CLUTCH	1	
8		175114-12530	SPROCKET, RIM .325	1	
9		V307-000451	WASHER,CIRCULAR 10	1	
10		V265-000211	NUT,8	1	
11		C305-000411	PLATE,SPROCKET GUARD	1	
12		V252-000470	SCREW,4	1	
13		C304-000310	SPIKED	1	
14		V203-002010	BOLT,5	2	
15		P021-049100	GUARD, SPROCKET ASY	1	
16	+	C300-001040	GUARD, SPROCKET	1	
17	+	C302-000030	PROTECTOR	1	
18	+	C309-000190	TENSIONER, CHAIN	1	
19	+	V203-000021	BOLT,5	1	
20	+	V355-000840	COLLAR,8	1	
21	+	V651-001060	GEAR,BEVEL	1	
22	+	V651-000011	GEAR,BEVEL	1	
23	+	C305-000470	PLATE,SPROCKET GUARD	1	T=0.5
24	+	900253-04008	SCREW 4*8	1	4*8
25		V265-000550	NUT,8	2	
26		C649-000420	HOOK	2	
27		X502-001020	LABEL,ECHO	1	
28		P021-023110	GEAR	1	
29		C328-000220	BAND,BRAKE	1	
30		C334-000180	CONNECTOR,BRAKE	1	
31		91381-04010	SCREW TAPPING	1	
32		93042-40100	PIN, SPRING	1	
33		C334-000190	CONNECTOR, BRAKE	1	
34		C334-000200	CONNECTOR,BRAKE	1	
35		900330-30120	PIN	2	3*12
36		V452-000860	SPRING,TORSION	1	
37		C347-000010	PLATE,BRAKE SEAL	1	
38		V450-001160	SPRING,COIL	1	
39		C345-000430	COVER,BRAKE	1	
40		V202-000490	BOLT	3	
41		P021-026933	GUARD COMP	1	
42	+	900330-40080	PIN F 4*8	1	4*8
43		V341-000000	WASHER,SQUARE	1	
44		V203-001470	BOLT,ADHESIVE	1	
45		V303-000320	WASHER,CIRCULAR 5	1	

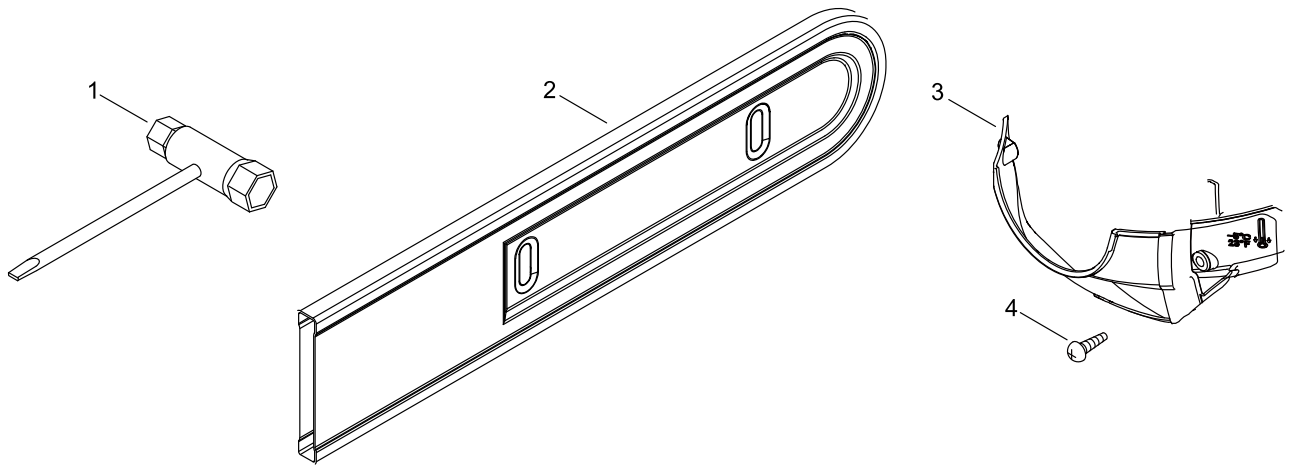
# CHAIN BRAKE



## CHAIN BRAKE

KEY NO	LV(+)	Part No	Description	Qty	Standard
46		J211-000430	BUSH	1	
47		V203-001410	BOLT ADHESIVE	1	

# ACCESSORIES

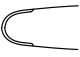



## ACCESSORIES

KEY NO	LV(+)	Part No	Description	Qty	Standard
1		X602-000150	PLUG WRENCH	1	
2		X490-000490	SCABBARD,CHAIN	1	
3		C418-000140	SHIELD, SNOW	1	
4		91374-04008	SCREW TAPPING	2	



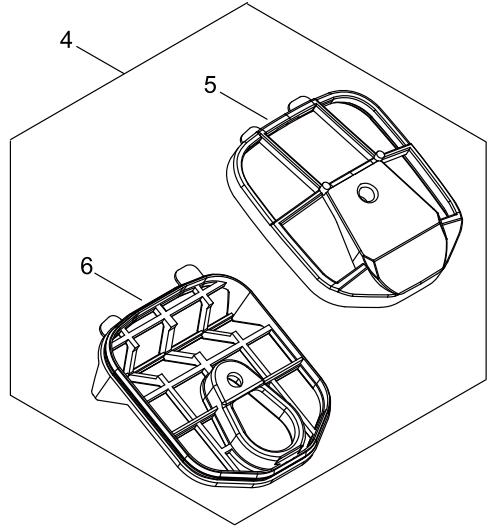
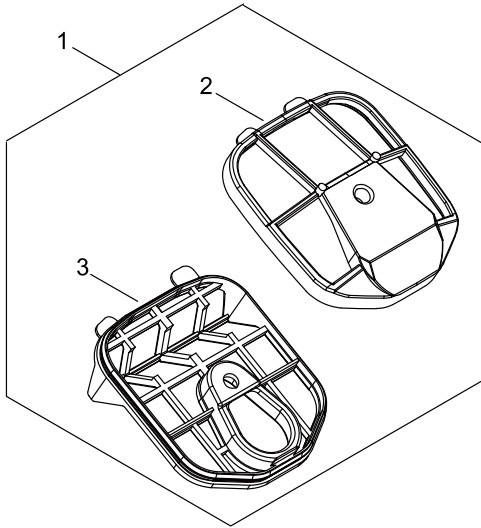
## GUIDE BAR, CHAIN

Pitch ピッチ	Gauge ゲージ	Length 長さ	Guide Bar ガイドバー		Saw Chain ソーチェーン		Hard Nose ハード ノーズ 	Sprocket Nose スプロケット ノーズ 
			Key	Type 形式	Key	Type 形式		
.325 8.26	0.058 1.47	40	A1	V40R21-68AA- ED	A2	21BPX-68E		●
.325 8.26	0.058 1.47	45	B1	V45R21-72AA- ED	B2	21BPX-72E		●
.325 8.26	0.058 1.47	50	C1	V50R21-80AA- ED	C2	21BPX-80E		●

## GUIDE BAR, CHAIN

KEY NO	LV(+)	Part No	Description	Qty	Standard
A1		X124-000691	BAR,GUIDE 40	1	V40R21-68AA-ED
A2		431711-38331	CHAIN, SAW	1	21BPX-68E
B1		X125-000351	BAR,GUIDE 45	1	V45R21-72AA-ED
B2		431717-30231	CHAIN, SAW	1	21BPX-72E
C1		X126-000291	BAR,GUIDE 50	1	V50R21-80AA-ED
C2		431712-30231	CHAIN, SAW	1	21BPX-80E

# OPTION PARTS



## OPTION PARTS

KEY NO	LV(+)	Part No	Description	Qty	Standard
1		A226-001090	AIR CLEANER ASSY	1	
2	+	A226-001100	AIR CLEANER UPPER	1	
3	+	A226-001110	AIR CLEANER LOWER	1	
4		A226-001040	AIR CLEANER ASSY	1	300
5	+	A226-001010	AIR CLEANER UPPER	1	
6	+	A226-001020	AIR CLEANER LOWER	1	

# NUMERICAL PARTS INDEX

Part No	Part description	Page	Part No	Part description	Page	Part No	Part description	Page
123110-03930	SCREW, PUMP COVER	10	93042-40100	PIN, SPRING	18	A510-000130	GUIDE,ROPE	14
123112-15030	DIAPHRAGM, FUEL PUMP	10	93042-40220	PIN, SPRING	16	A514-000220	PAWL	6
123113-37530	SPRING, THROTTLE RTN	10	93060-40250	PIN, SPRING	16	A552-000231	HUB, CLUTCH	18
123114-38830	SCREW	10	93115-03010	KEY	6	A552-000241	HUB, CLUTCH	18
123116-10530	VALVE, THROTTLE	10	A011-001420	CRANKSHAFT,ASY	2	A556-001121	DRUM, CLUTCH	18
123122-03660	SPRING, METER. LEVER	10	A014-000120	RELEASE ASY., COMP.	2	C020-000040	CAP	4
123123-03930	LEVER, METERING	10	A021-004410	CARBURETOR, DIAPHRAGM	8	C022-000121	AUTO-OILER ASSEMBLY	4
123125-15030	GASKET, FUEL PUMP	10				C040-000840	HANDLE, FRONT	16
123126-10631	SCREEN, INLET	10	A021-004410	CARBURETOR, DIAPHRAGM	10	C209-000070	STRAINER,OIL	4
123127-15030	RING	10	A033-000370	CAP ASSY	16	C236-000060	COVER,OILER	4
123130-02960	SCREW	10	A041-000000	STATOR,ASM	6	C300-001040	GUARD, SPROCKET	18
123133-04260	SPRING, IDLE ADJUST	10	A051-003000	STARTER,RECOIL	14	C302-000030	PROTECTOR	18
123136-09660	BALL	10	A056-000611	CLUTCH ASY	18	C304-000310	SPIKED	18
123137-19830	VALVE, INLET NEEDLE	10	A101-000690	RING, PISTON	2	C305-000411	PLATE,SPROCKET GUARD	18
123138-03930	PIN, METERING LEVER	10	A130-002280	CYLINDER	2		C305-000470	PLATE,SPROCKET GUARD
123139-03930	SCREW, M. LEVER PIN	10	A172-001870	COVER,FAN	14	C309-000190	TENSIONER, CHAIN	18
123140-03930	GASKET, M. DIAPHRAGM	10	A200-001050	INSULATOR,INTAKE	8	C310-000110	CATCHER, CHAIN	4
123142-03930	COVER, M. DIAPHRAGM	10	A202-000150	BOOT	8	C328-000220	BAND,BRAKE	18
123146-10631	PLUG, WELCH	10	A204-000220	ELBOW, CARBURETOR	8	C334-000180	CONNECTOR,BRAKE	18
123149-26030	WASHER	10	A206-000030	HOLDER, BELLOWS	8	C334-000190	CONNECTOR, BRAKE	18
123185-09660	PISTON ASSY	10	A219-000040	SHUTTER,AIR	4	C334-000200	CONNECTOR,BRAKE	18
123186-09660	SPRING, START VALVE	10	A226-001010	AIR CLEANER UPPER	26	C345-000430	COVER,BRAKE	18
131300-56431	VENT ASSEMBLY, FUEL	16	A226-001020	AIR CLEANER LOWER	26	C347-000010	PLATE,BRAKE SEAL	18
175114-12530	SPROCKET, RIM .325	18	A226-001040	AIR CLEANER ASSY	26	C401-000260	COVER	16
177236-06910	SCREW	14	A226-001090	AIR CLEANER ASSY	26	C403-000530	GRIP	16
431711-38331	CHAIN, SAW	24	A226-001100	AIR CLEANER UPPER	26	C406-000020	HEATER,HANDLE	16
431712-30231	CHAIN, SAW	24	A226-001110	AIR CLEANER LOWER	26	C411-000170	LID,HANDLE	16
431717-30231	CHAIN, SAW	24	A226-001580	ELEMENT,AIR FILTER	8	C418-000140	SHIELD, SNOW	22
437239-14730	NIPPLE	4	A226-001590	ELEMENT,AIR FILTER	8	C450-000642	CONTROL, THROTTLE	16
890345-39231	LABEL,CAUTION	4	A226-001600	ELEMENT,AIR FILTER	8	C454-000280	ROD,THROTTLE	8
900105-04006	BOLT, H.S. 4*6	12	A235-000270	KNOB,CLEANER LID	8	C460-000390	LOCKOUT,THROTTLE	16
900105-05030	BOLT, H.S. 5*30	4	A240-000111	ROD, CHOKE	8	C483-000040	BOOT, CONNECTOR	16
900212-04008	SCREW 4*8	4	A301-000060	PLATE, MUFFLER	12	C649-000420	HOOK	18
900253-04008	SCREW 4*8	18	A310-000450	SCREEN, ARRESTOR	12	J211-000430	BUSH	20
900330-30120	PIN	18	A313-001481	GUIDE, EXHAUST	12	P003-001510	LEVER-FAST IDLE	10
900330-40080	PIN F 4*8	18	A313-002010	GUIDE, EXHAUST	12	P003-001850	DIAPHRAGM, METERING	10
900600-00005	WASHER 5	4	A356-000130	VALVE,CHECK	4	P003-002260	SPRING	10
900600-00005	WASHER 5	8	A365-000090	ANCHOR	16	P003-002380	SCREW	10
900603-00004	WASHER 4	4	A369-000450	STRAINER, FUEL	16	P003-003180	THROTTLE LEVER	10
900720-20007	O-RING 7	6	A409-001081	ROTOR, MAGNETO	6	P003-003190	SHAFT	10
91100-05048	BOLT	8	A425-000000	SPARKPLUG	6	P003-003650	IDEL SCREW	10
91374-04008	SCREW TAPPING	22	A426-000040	TERMINAL,SPARKPLUG	6	P003-004460	NEEDLE	10
91381-04010	SCREW TAPPING	18	A427-000160	PLUG CAP	6	P003-005590	VALVE, CHOKE	10
91449-04022	SCREW TAPPING	16	A440-001630	SWITCH	4	P003-005600	PUMP COVER ASY	10
91578-04006	SCREW	12	A504-000190	RECOIL SPRING ASSY	14			

# NUMERICAL PARTS INDEX

Part No	Part description	Page	Part No	Part description	Page	Part No	Part description	Page
P003-005620	SHAFT ASSY	10	V203-002200	BOLT,5	12	V629-000000	ROLLER	4
P021-023110	GEAR	18	V204-000620	BOLT	6	V651-000011	GEAR,BEVEL	18
P021-026933	GUARD COMP	18	V225-000150	BOLT,STUD	4	V651-001060	GEAR,BEVEL	18
P021-037400	SWITCH, ON OFF	4	V252-000470	SCREW,4	18	X124-000691	BAR,GUIDE 40	24
P021-037541	COIL, IGNITION	6	V265-000211	NUT,8	18	X125-000351	BAR,GUIDE 45	24
P021-048650	PISTON KIT	2	V265-000220	NUT	6	X126-000291	BAR,GUIDE 50	24
P021-048660	MUFFLER ASY	12	V265-000550	NUT,8	18	X490-000490	SCABBARD,CHAIN	22
P021-049100	GUARD, SPROCKET ASY	18	V266-000090	NUT,10	4	X502-000900	LABEL,ECHO	14
P021-051950	CRANK CASE SET	4	V303-000320	WASHER,CIRCULAR 5	18	X502-001020	LABEL,ECHO	18
P022-023100	ROPE, STARTER	14	V304-000270	WASHER,CIRCULAR 6	6	X503014150	LABEL,MODEL	8
P022-036780	GRIP, STARTER	14	V307-000451	WASHER,CIRCULAR 10	18	X602-000150	PLUG WRENCH	22
P022-039770	CASE, STARTER	14	V308-000040	WASHER,CIRCULAR 11	2			
P022-039780	DRUM, STARTER	14	V341-000000	WASHER,SQUARE	18			
P022-039790	SPRING CASE	14	V353-000460	BUSH	4			
P100-000270	CLUTCH SHOE SET	18	V355-000460	COLLAR,8	4			
P100-000670	LID,CLEANER ASY	8	V355-000840	COLLAR,8	18			
P100-000740	CYLINDER COVER ASY	4	V359-000200	COLLAR	8			
P100-000750	HANDLE ASY, REAR	16	V401-000330	CUSHION	16			
V100-000620	GASKET,CYL	2	V401-000610	CUSHION,5	16			
V102-000220	GASKET,CRANKCASE	4	V420-002780	CUSHION	4			
V104-001780	GASKET,EXHAUST	12	V420-002790	CUSHION	16			
V107-000070	GASKET	16	V420-004980	CUSHION	4			
V107-000090	GASKET	4	V421-000070	CAP,CUSHION	16			
V130-000131	GROMMET,CHOKE	8	V450-001160	SPRING,COIL	18			
V131-000190	GROMMET,NEEDLE	14	V451-000930	SPRING	18			
V133-000040	GROMMET	4	V452-000850	SPRING,TORSION	16			
V133-000040	GROMMET	8	V452-000860	SPRING,TORSION	18			
V141-000090	GROMMET,PLUG	2	V452-000870	SPRING,TORSION	6			
V202-000200	BOLT	8	V470-001520	PIPE	16			
V202-000200	BOLT	14	V470-001530	PIPE	16			
V202-000350	BOLT-SPW	16	V470-001840	PIPE	4			
V202-000490	BOLT	18	V471-002800	PIPE	8			
V202-000520	BOLT,4	4	V475-005180	TUBE	6			
V202-000530	BOLT,4	6	V490-000500	CLIP	16			
V202-000540	BOLT,4	6	V490-001230	CLIP	4			
V202-000690	BOLT,4	4	V495-001580	BAND	16			
V203-000021	BOLT,5	18	V505-000070	OIL SEAL	4			
V203-001320	BOLT ADHESIVE	2	V508-000070	OIL SEAL	4			
V203-001410	BOLT ADHESIVE	20	V555-000150	BEARING,NEEDLE	18			
V203-001450	BOLT	4	V556-000040	BEARING,NEEDLE 11	2			
V203-001470	BOLT,ADHESIVE	18	V580-000030	RING,END	2			
V203-001490	BOLT TAPPING	16	V581-000280	GASKET	8			
V203-001540	BOLT,ADHESIVE	4	V592-000290	BEARING, BALL	4			
V203-001950	BOLT,5	16	V592-000330	BEARING, BALL	4			
V203-002010	BOLT,5	18	V609-000070	PIN,ENG 11	2			